

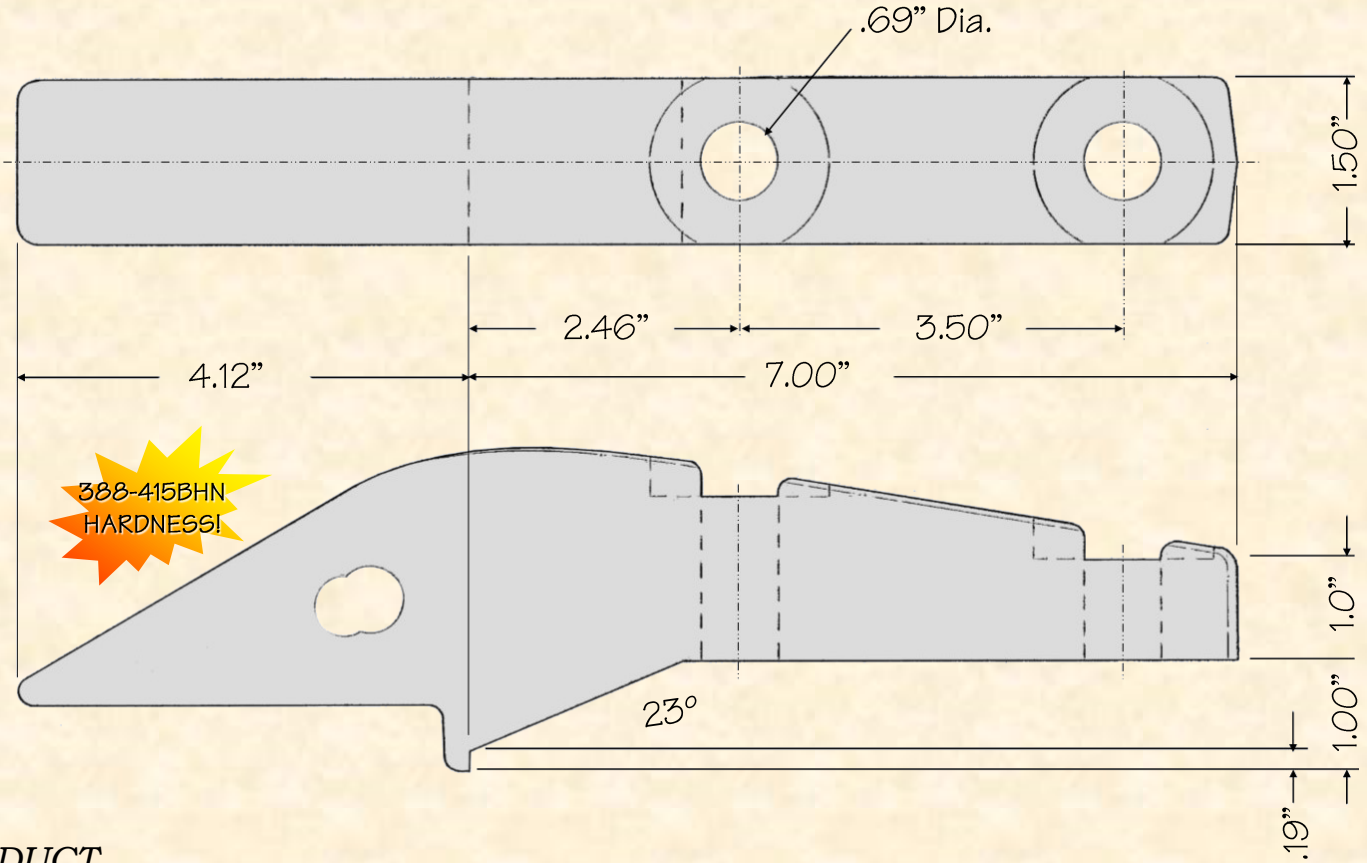
T355.2017

QUALITY
since 1931

H&L's L-4108-BF-24 Loader Adapters are produced from aircraft quality Chrom-Moly-Nickel grade alloy steels to enhance adapter **DURABILITY** and **TOUGHNESS!**

© H&L Tooth Company 2017

H&L's produced the L-4108-BF-24 as OEM for J. I. Case Model W30.



ORIGINAL PRODUCT

H&L® TOOTH COMPANY

Factory Direct Made in Tulsa, Oklahoma

The "OEM" Flexpin Style LOADER ADAPTER design

L-4108-BF-24

Loader Adapter
7.5#/3.40kgs.

H&L Tooth Company History since 1931:

The L-4108-BF-24 top mounted bolt-on loader adapter for the Case W30, it was first designed and introduced by H&L Tooth as a J. I. Case OEM #B91272 with an assembly number of L109023.

Today, H&L continues to produce the "Original" L-4108-BF-24 adapter and 240-Series tooth system.