

T369.2017

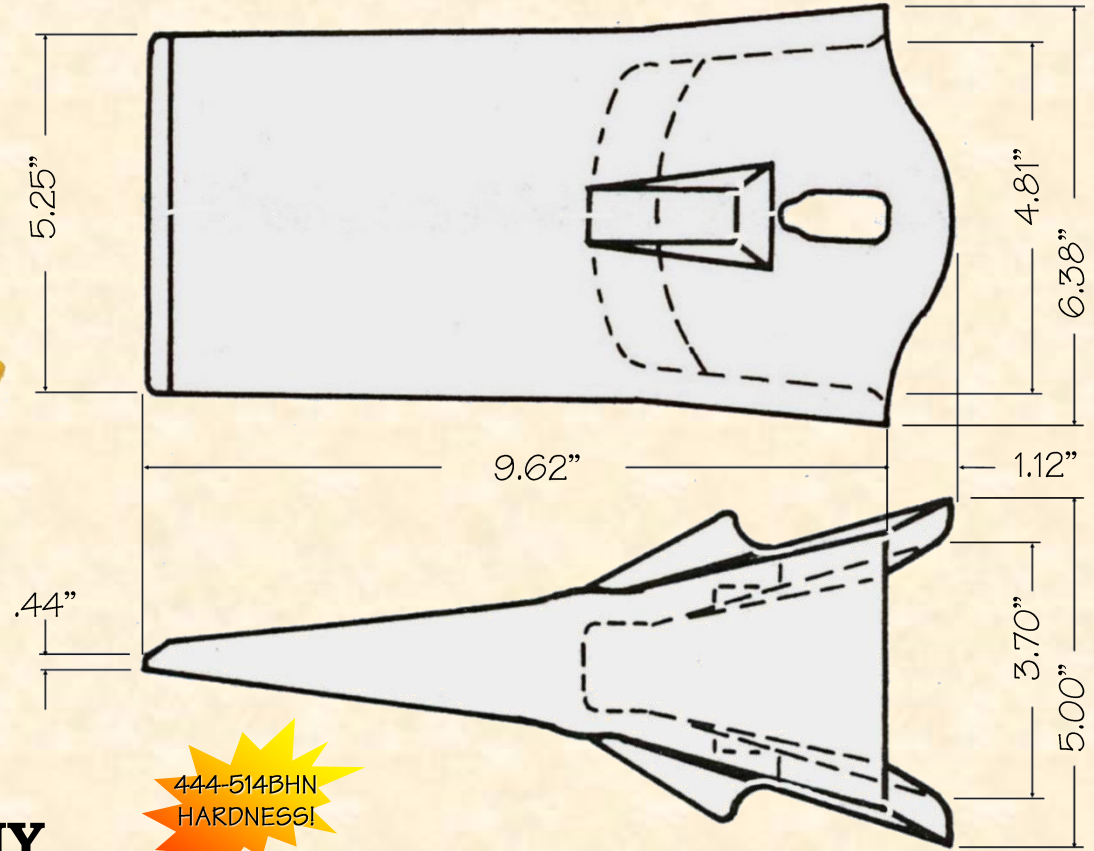


H&L's C-50S Teeth are produced from aircraft quality Chrom-Moly grade alloy steels to enhance tooth **DURABILITY** and long **LASTING SHARPNESS!**

© H&L Tooth Company 2017



Uses the C-50 Conical Series Rubber Insert and Steel Pin



**ORIGINAL PRODUCT**  
**H&L® TOOTH COMPANY**

*Factory Direct from Tulsa, Oklahoma*

H&L *Cobra Line* Escro Style cast Conical tooth

**C-50S**

Sharp Tooth  
22.3#/10.12 kgs.

*H&L Tooth Company History since 1931:*

*This CF-50S Sharp Conical style tooth was re-engineered and introduced by the Hi-Pro Forge Company in 1981 as a forging. During the 2000s H&L redesigned the 50S and now offers it as a cast version C-50S.*

*Today, copies of the Conical "C and CF" 50S style teeth are being produced by many companies worldwide.*