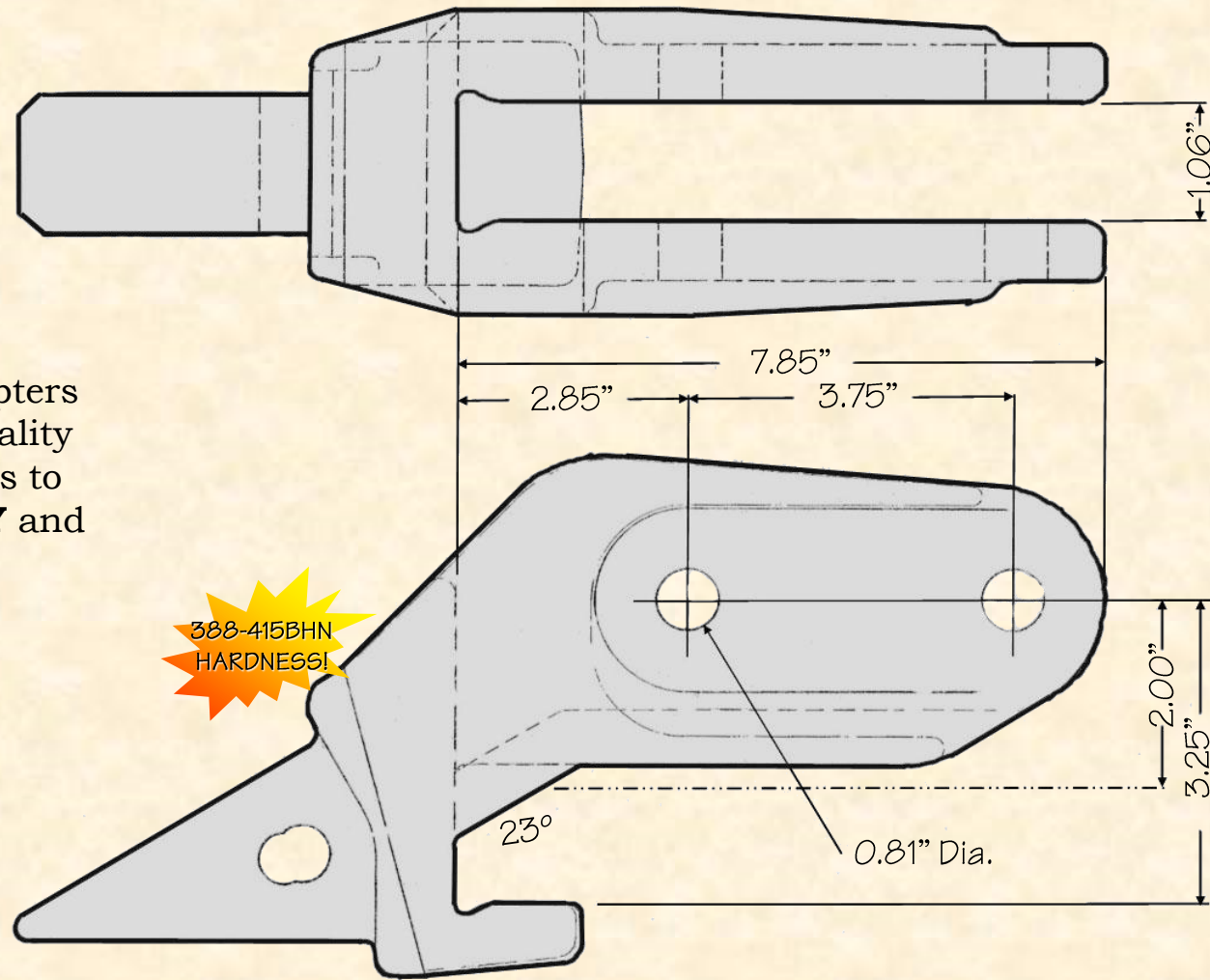


T140.2015



© H&L Tooth Company 2015

H&L's L-3679-24 **Corner** Adapters are produced from aircraft quality Chrom-Moly grade alloy steels to enhance adapter **DURABILITY** and **TOUGHNESS!**



388-415BHN  
HARDNESS!

ORIGINAL PRODUCT

**H&L® TOOTH COMPANY**

Factory Direct Made in Tulsa, Oklahoma

The "OEM" Flexpin Style CORNER ADAPTER design

**L-3679-24**

Loader Corner Adapter

18.0#/8.16kgs.

*H&L Tooth Company History since 1931:*

*This Corner double strap bolt-on adapter was first designed and introduced by H&L Tooth as a J.I. Case OEM product in 1985.*

*H&L's L-3679-24 bolt-on corner adapter (Case #R35276 and B91267) was developed for the Models 850 and 1150 Case Crawler.*

*Today, H&L continues to produce the "Original" L-3679-24 adapter and 240-Series tooth system.*