

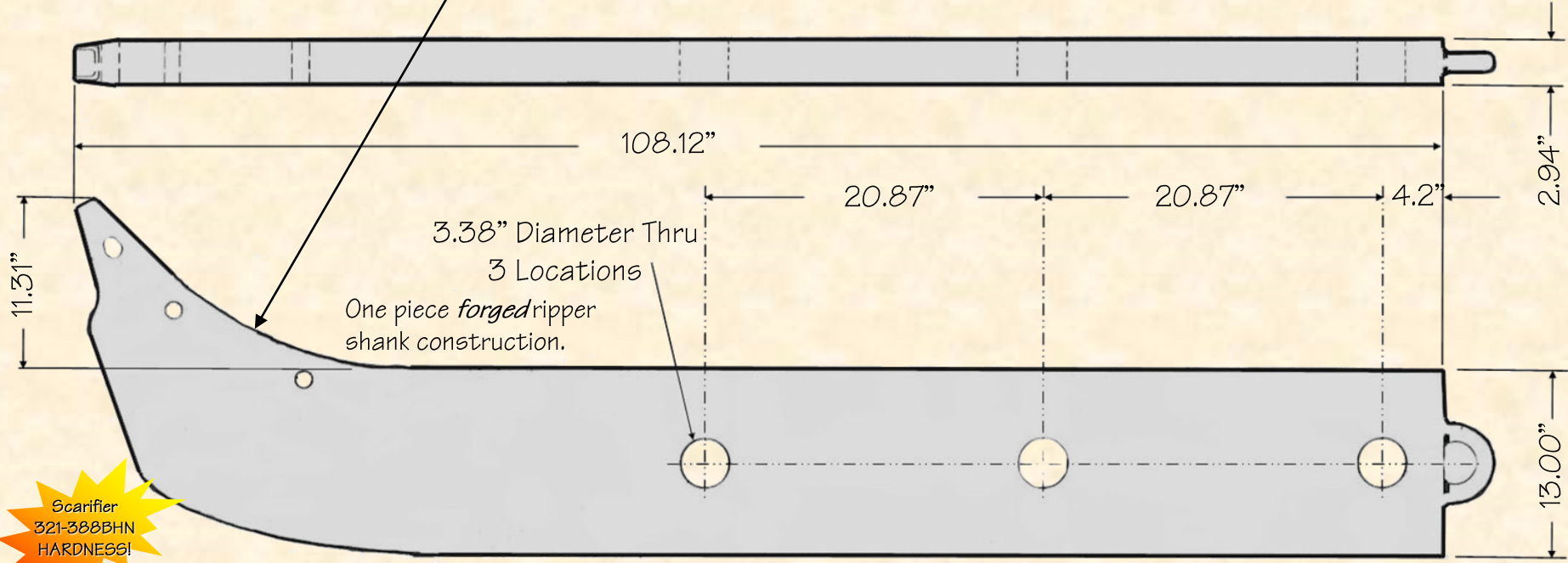
R039.2017



H&L Style RJ-814109-YU-36 Rippers are produced from Chrom-Moly-Nickel grade alloy steels to enhance shank **DURABILITY** and **TOUGHNESS!**

© H&L Tooth Company 2017

Uses 36ST-4R Tooth and 19-36FP Flexpin
RX-1939/RX-2017 Wear Plate and two RX-1926FP Flexpins



3.38" Diameter Thru
3 Locations
One piece *forged* ripper
shank construction.

ORIGINAL PRODUCT

H&L® TOOTH COMPANY

Factory Direct Made in Tulsa, Oklahoma

RJ-814109-YU-36

Ripper Shank
1196.0#/542.51kg

H&L Tooth Company History since 1931:

This H&L's style RJ-814109-YU-36 Uniforged ripping shank is a replacement for Caterpillar's Model D9N, D9R and D9T, part number 4T-8988. This shank uses the H&L 36-Series tooth system. Ripper shank was engineered and introduced by the H&L Tooth Company in 1988.

H&L products meet or exceeds all OEM standards.