

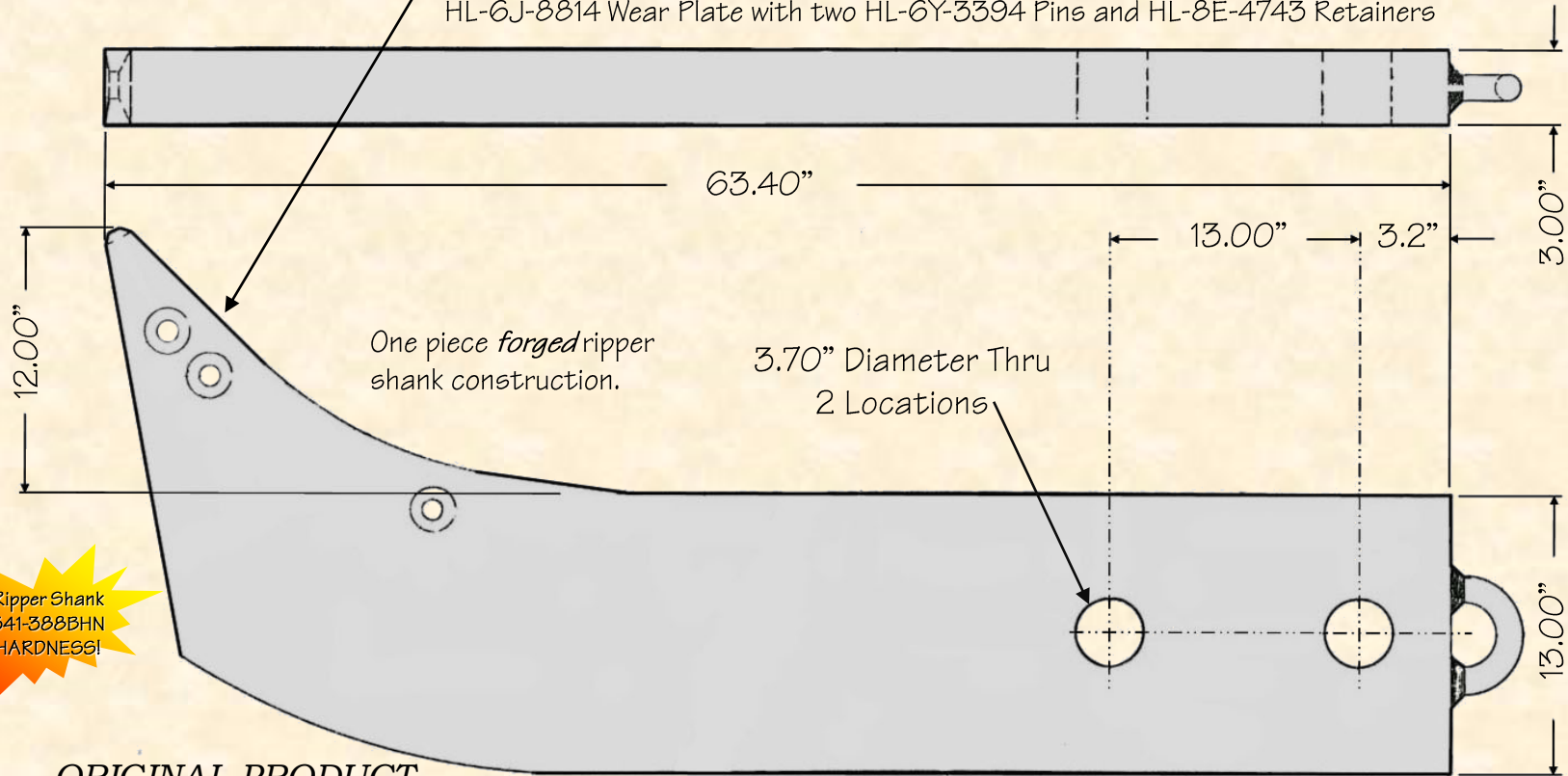
R072.2015



H&L's Cat Style HL-8E-5346 Rippers are produced from Chrom-Moly-Nickel grade alloy steels to enhance shank **DURABILITY** and **TOUGHNESS!**

© H&L Tooth Company 2015

Uses (R450) HL-9W-2452ST-4R Tooth with HL-6Y-3394 Pin and HL-8E-4743 Retainer  
HL-6J-8814 Wear Plate with two HL-6Y-3394 Pins and HL-8E-4743 Retainers



ORIGINAL PRODUCT

**H&L<sup>®</sup> TOOTH COMPANY**

Factory Direct Made in Tulsa, Oklahoma

**HL-8E-5346**

Ripper Shank

650.0#/294.84kgs.

*H&L Tooth Company History since 1931:*

*This H&L's Cat style HL-8E-5346 ripping shank is a replacement for Caterpillar's Model D9N, D9R, D8N, D8R and D8T Dozers. This shank uses the H&L's R-450 Series tooth system. Ripper shank was engineered and introduced by the H&L Tooth Company as a forged shank in 2000.*

*H&L products meet or exceeds all OEM standards.*