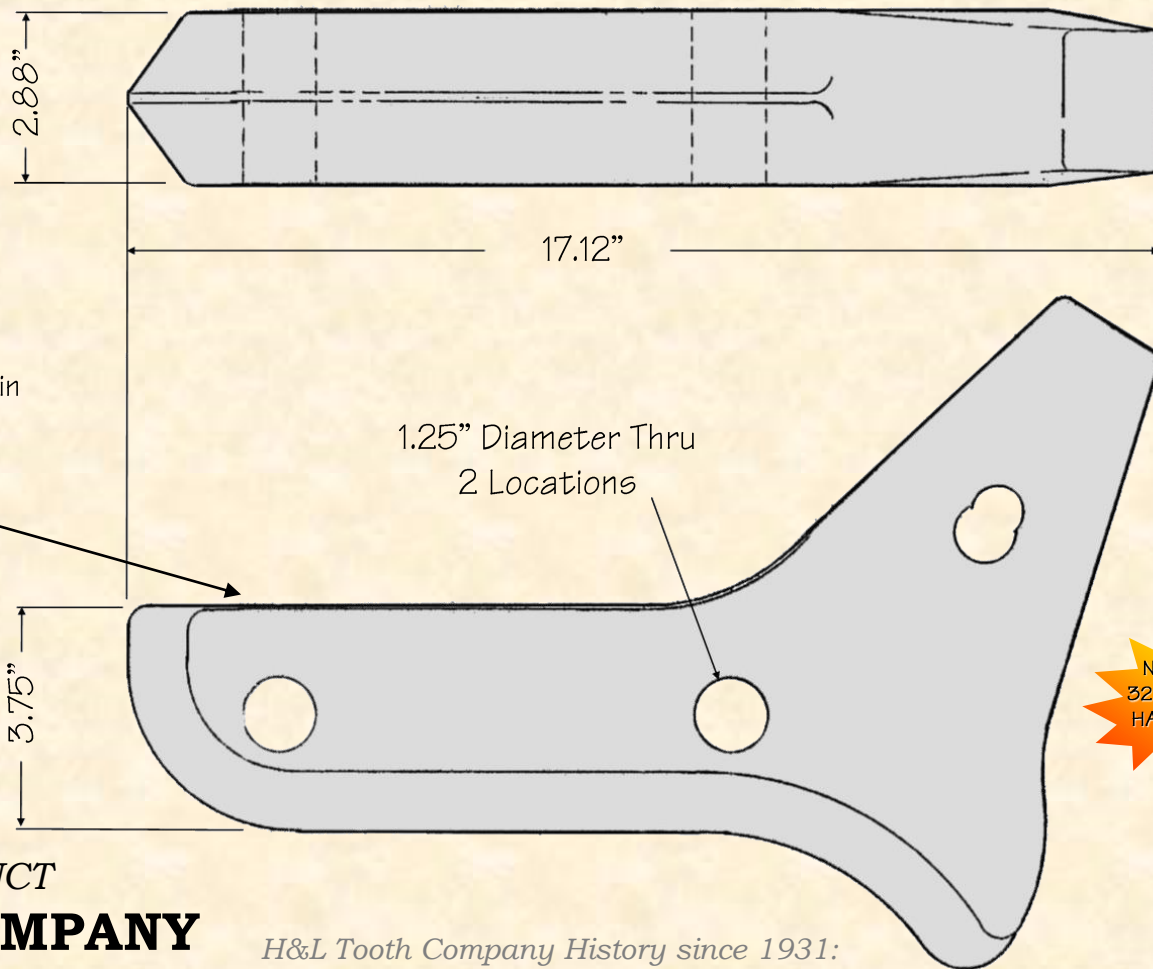


RO80.2016



H&L's RX-2000-YS-36 Repair Nosepiece are produced from Chrom-Moly-Nickel grade alloy steels to enhance shank **DURABILITY and TOUGHNESS!**

© H&L Tooth Company 2016



Uses 36LST-4R Tooth with 36FP Pin and RX-2001 Wear Plate with two RX-1926FP Pins

ORIGINAL PRODUCT

**H&L<sup>®</sup> TOOTH COMPANY**

Factory Direct Made in Tulsa, Oklahoma

**RX-2000-YS-36**

Repair Nosepiece

53.1#/24.09kgs.

*H&L Tooth Company History since 1931:*

*This H&L's RX-2000-YS-36 repair nosepiece was an OEM offering for International-Harvester during the middle 1960s. This Nosepiece uses H&L's 36 Series tooth system and was engineered, introduced by the H&L Tooth Company in 1964.*

*H&L products meet or exceeds all OEM standards.*