

R106.2016

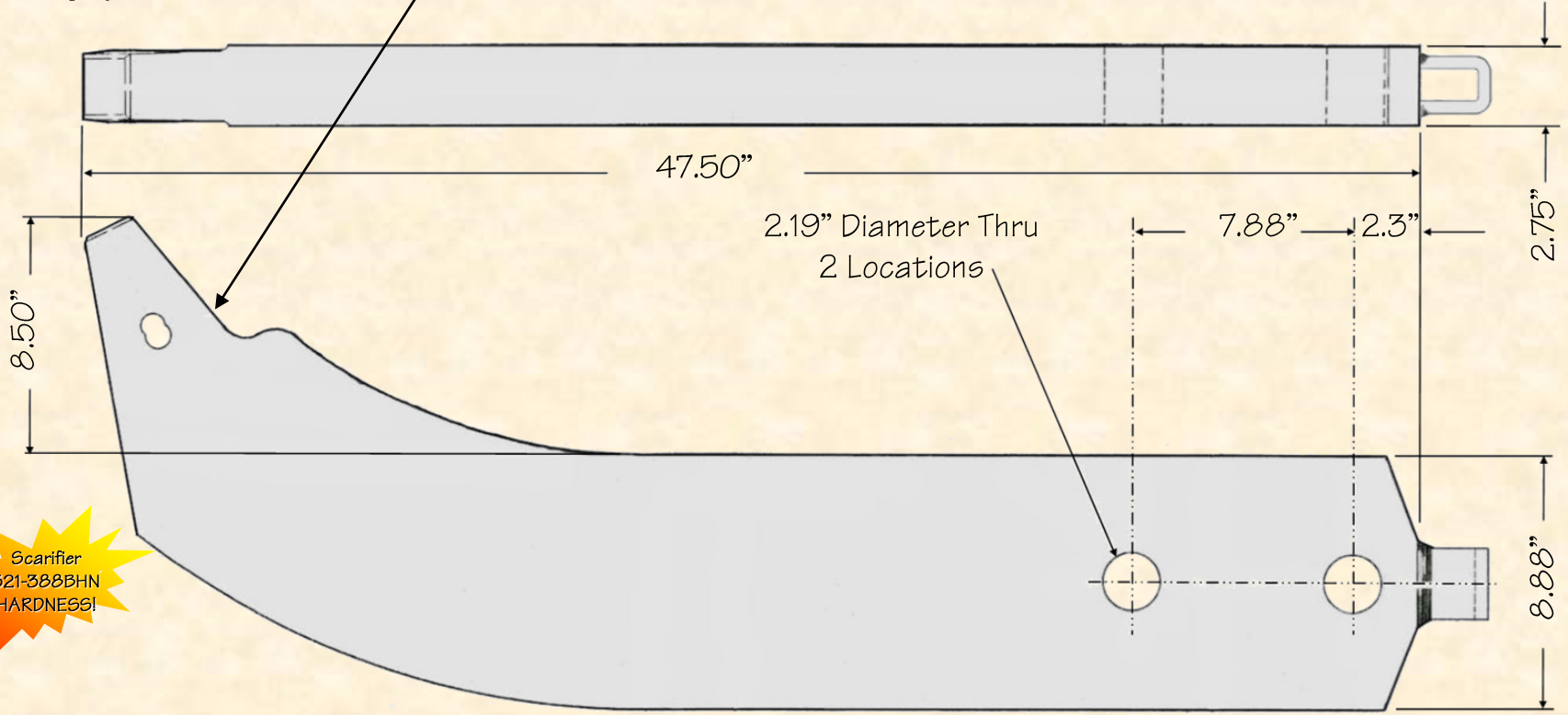


QUALITY
since 1931

© H&L Tooth Company 2016

H&L's Style R-529-19 Rippers are produced from Chrom-Moly-Nickel grade alloy steels to enhance shank **DURABILITY and TOUGHNESS!**

Uses 19ST Star Tooth and 19-36FP Flexpin



Scarifier
321-388BHN
HARDNESS!

ORIGINAL PRODUCT

H&L[®] TOOTH COMPANY

Factory Direct Made in Tulsa, Oklahoma

R-529-19

Ripper Shank

320.0#/145.2kgs.

H&L Tooth Company History since 1931:

This H&L's style R-529-19 ripping shank is designed as part number 79025657. Designed for Fiat-Allis Model FD-20 and FL-20.

H&L ripper shank uses the H&L 19-Series tooth system. Original ripper shank was engineered and introduced by the H&L Tooth Company in 1979.

H&L products meet or exceeds all OEM standards.