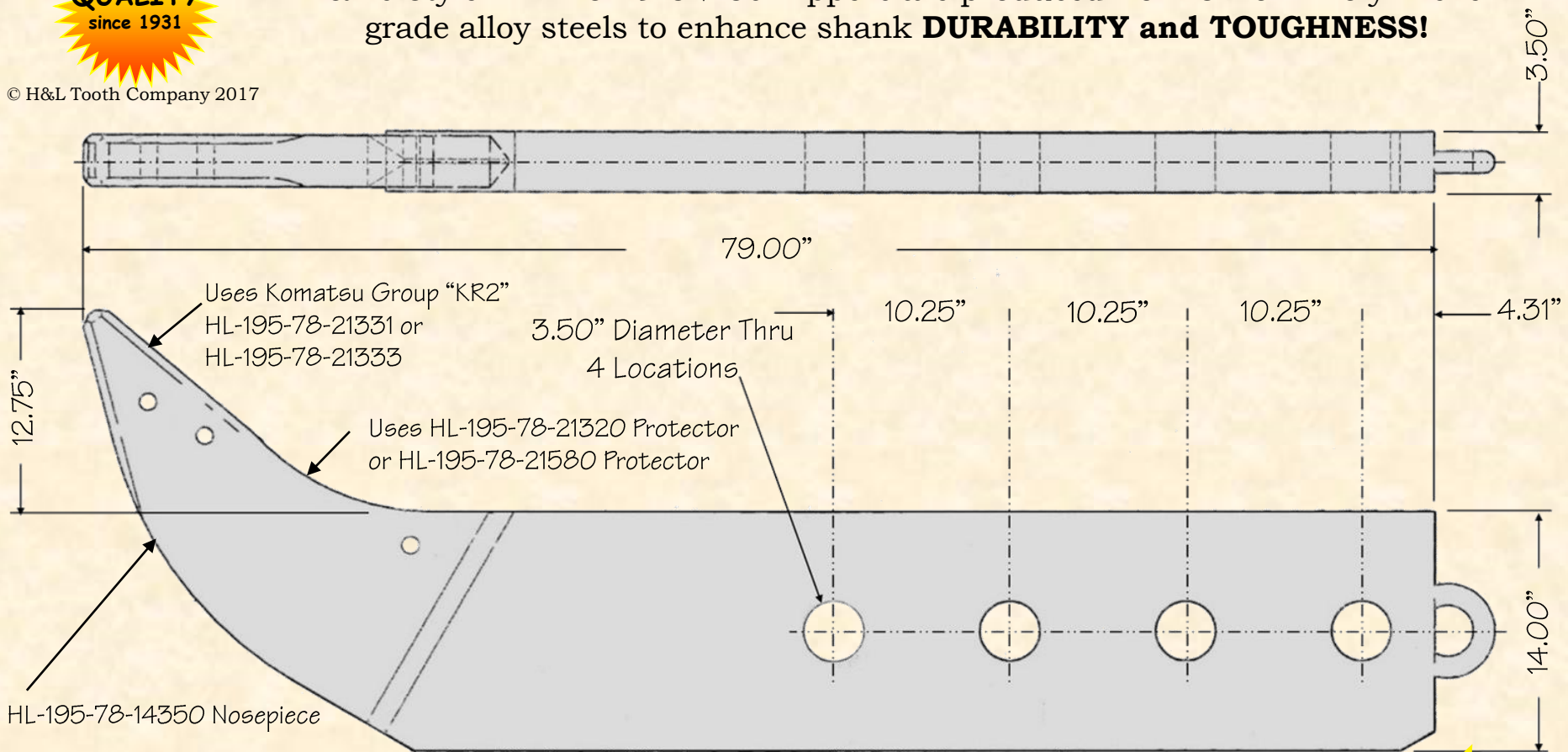


R183,2017



H&L's Style HL-175-79-32130 Rippers are produced from Chrom-Moly-Nickel grade alloy steels to enhance shank **DURABILITY and TOUGHNESS!**

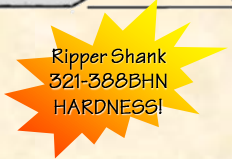
© H&L Tooth Company 2017



RIPPER PRODUCT for KOMATSU
H&L® TOOTH COMPANY
 Factory Direct Made in Tulsa, Oklahoma

HL-175-79-32130

Ripper "Multi" Shank
962.0#/436.36 kgs.



H&L Tooth Company History since 1931:

This H&L's HL-175-79-32130 style Ripper "Multi Shank" was designed for replacements of Komatsu machines dating back to 1997. Ripper Shank is used on Komatsu dozer, Model D355A-2 with a box size of 3.75" X 14.50".

H&L products meet or exceeds all OEM standards.