

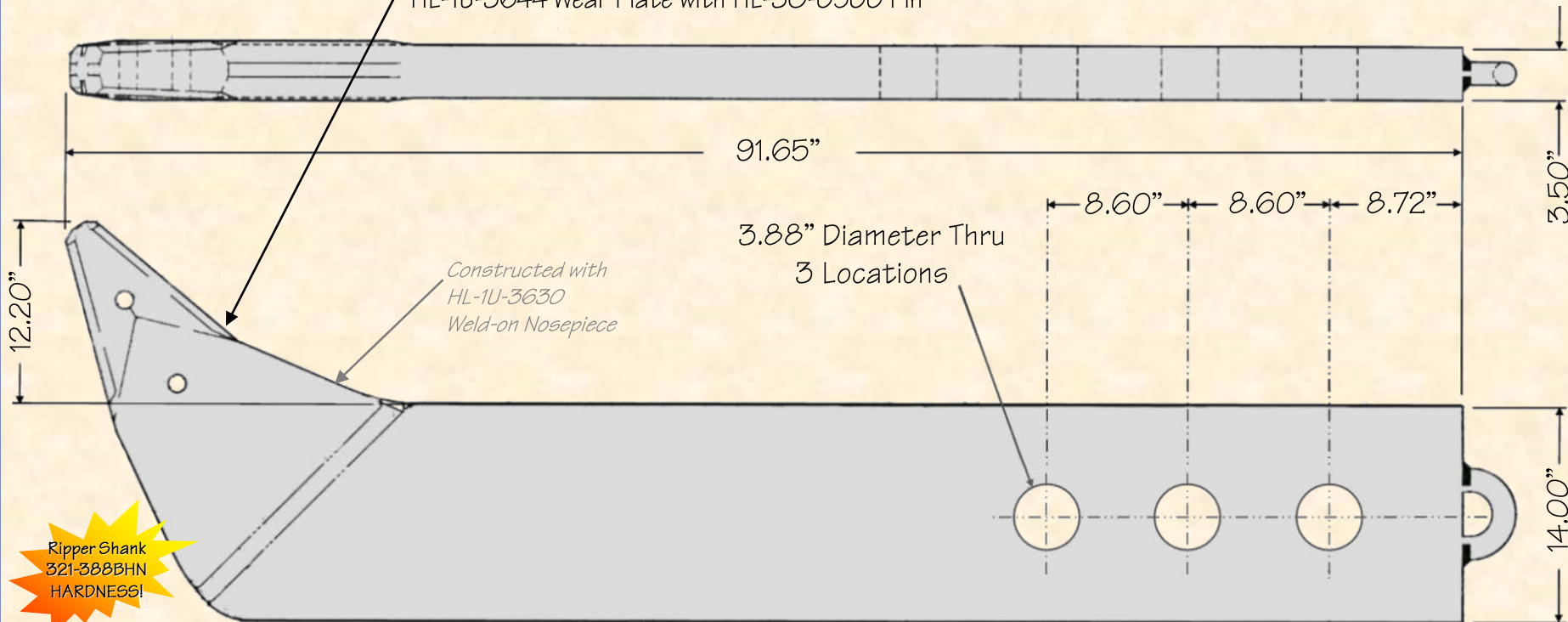
RO61.2015



H&L's Cat Style HL-6Y-6138 Rippers are produced from Chrom-Moly-Nickel grade alloy steels to enhance shank **DURABILITY and TOUGHNESS!**

© H&L Tooth Company 2015

Uses (R500) HL-4T-4502ST-4R Tooth with HL-3G-0500 Pin  
HL-1U-3644 Wear Plate with HL-3G-0500 Pin



ORIGINAL PRODUCT

**H&L® TOOTH COMPANY**

Factory Direct Made in Tulsa, Oklahoma

**HL-6Y-6138**

Ripper Shank

1220.0#/553.39kgs.

*H&L Tooth Company History since 1931:*

*This H&L's Cat style HL-6Y-6138 ripping shank is a replacement for Caterpillar's Model D10N and D9L. This shank uses the H&L's R-500 Series tooth system. Ripper shank was engineered and introduced by the H&L Tooth Company in 1981.*

*H&L products meet or exceeds all OEM standards.*