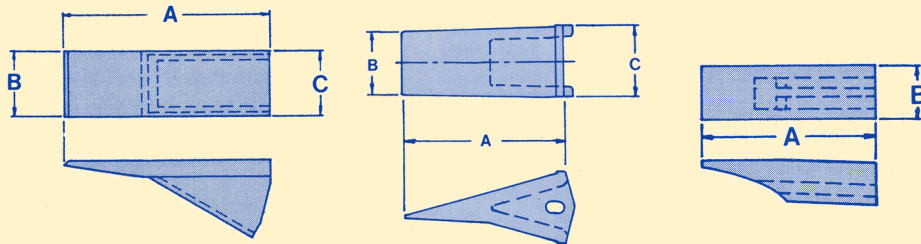


Teeth, Scarifiers and Small Rippers

1 3/4, 22, 24 and 25 Series



Fabricated and Forged Teeth



Fabricated Style

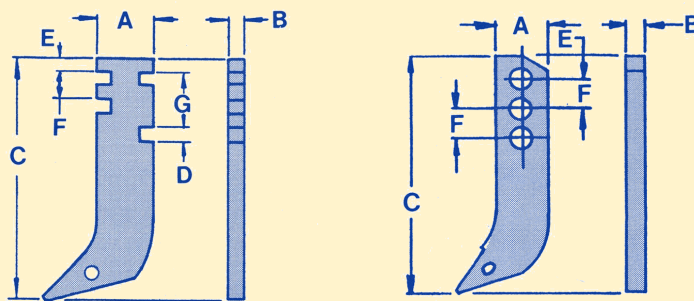
Forged Style

Slip on Style

Case Number	H&L Number	Tooth Styles	A	B	C
K3871	1 3/4SP	Sharp	5.19"	1.25"	1.25"
D83306	22SP	Sharp	7.12"	1.81"	1.81"
L55608	240SP	Sharp	7.25"	2.20"	2.20"
R54258	240ST	Star	7.62"	0.19"	2.20"
D55468	252SP	Sharp	7.88"	2.75"	2.75"
D59702	252ST	Star	8.38"	0.38"	2.75"
R33815	HL-6Y-5230	Sharp	7.18"	1.81"	-

© H&L Tooth Company 2015

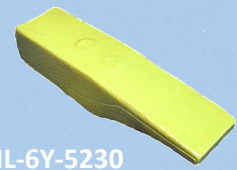
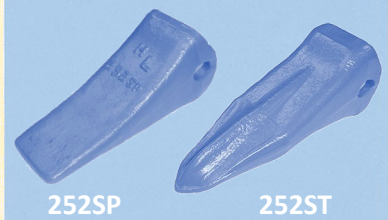
Scarifiers and Small Rippers



Scarifier Style

Small Ripper Style

Case Number	H&L Number	Styles	A	B	C	D	E	F	G
K3872	G-959-3/4 <small>OUT OF PRODUCTION</small>	Scarifier	2.50"	0.75"	21.88"	0.62"	0.50"	4.00"	7.00"
R18255	G-616-24 <small>OUT OF PRODUCTION</small>	Ripper	4.50"	1.50"	28.50"	-	1.50"	-	-
R46112	R-506-24	Ripper	5.50"	1.50"	25.67"	-	5.31"	-	-
R48569	R-507-C-25	Ripper	7.00"	2.00"	32.50"	-	5.00"	3.50"	-
T40754	G-163-HW-3/4	Scarifier	2.50"	0.75"	15.50"	0.53"	0.53"	2.50"	-
T42055	G-163-CD-3/4	Scarifier	2.50"	0.75"	15.50"	0.50"	0.53"	2.50"	3.00"
	R-560-24	Ripper	4.00"	1.50"	23.00"	-	2.00"	-	-
ZJZ5940	HL-5-0940	Scarifier	3.00"	1.00"	17.75"	0.93"	0.67"	1.58"	1.58"



HL-6Y-5230



Scarifier Style



Small Ripper Style