

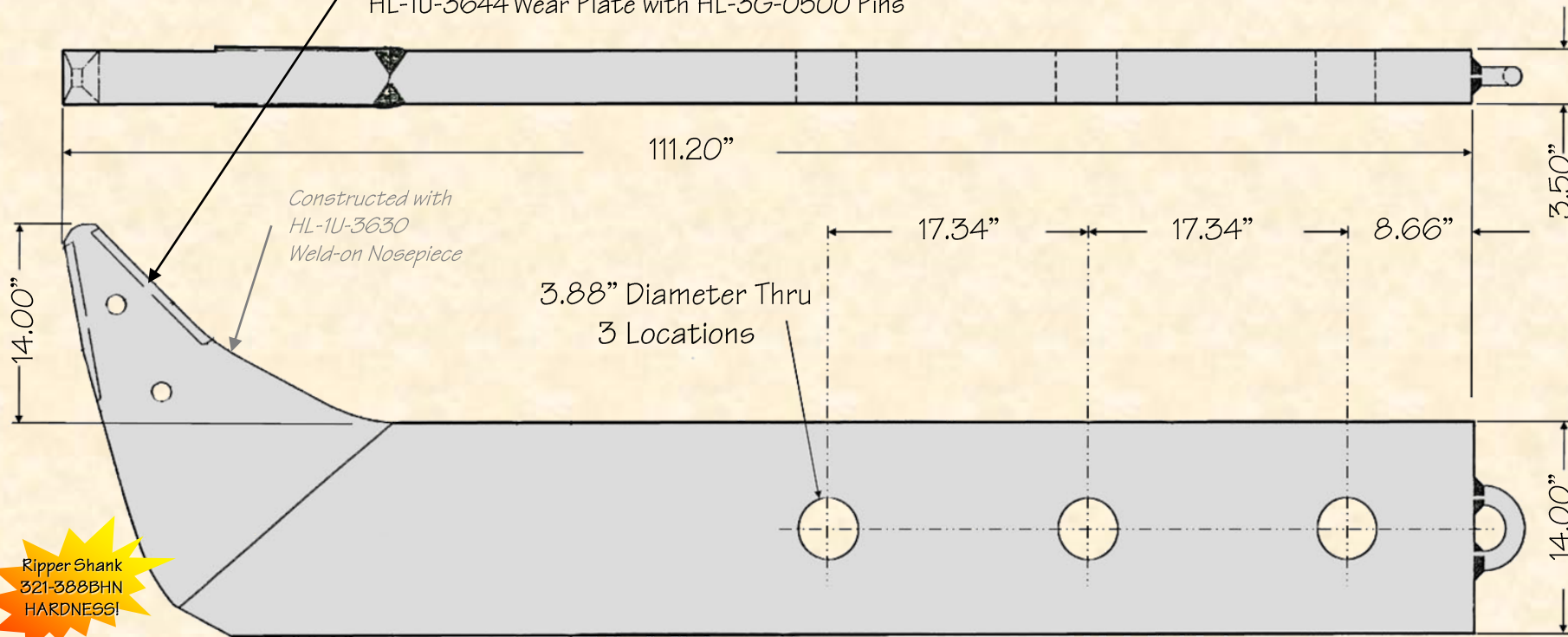
RO89.2016



H&L's Cat Style HL-6Y-6144 Rippers are produced from Chrom-Moly-Nickel grade alloy steels to enhance shank **DURABILITY** and **TOUGHNESS!**

© H&L Tooth Company 2016

Uses (R500) HL-4T-45025T-4R Tooth with HL-3G-0500 HL-1U-3644 Wear Plate with HL-3G-0500 Pins



Ripper Shank  
321-388BHN  
HARDNESS!

ORIGINAL PRODUCT

**H&L® TOOTH COMPANY**

Factory Direct Made in Tulsa, Oklahoma

**HL-6Y-6144**

Ripper Shank

1409.0#/639.12kgs.

*H&L Tooth Company History since 1931:*

*This H&L's Cat style HL-6Y-6144 ripping shank is a replacement for Caterpillar's Model D10N and D9L, replaces part number 6Y-6144. This shank uses the H&L's R-500 Series tooth system. Ripper shank was engineered and introduced by the H&L Tooth Company in 1994.*

*H&L products meet or exceeds all OEM standards.*