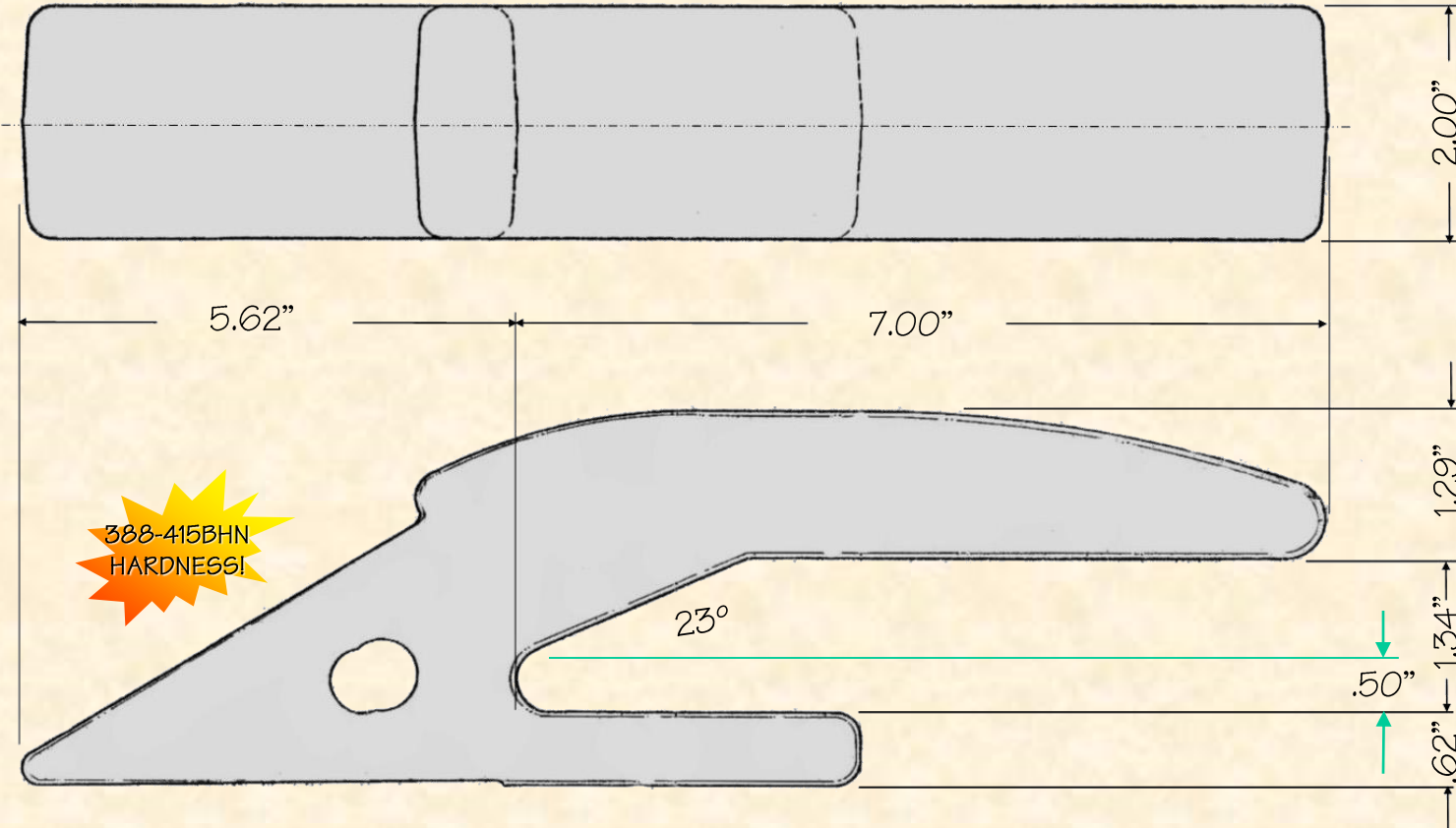


T169.2016

QUALITY
since 1931

© H&L Tooth Company 2016

H&L's 2740-AEW-25 **Weld-on** Adapters are produced from aircraft quality Chrom-Moly grade alloy steels to enhance adapter **DURABILITY** and **TOUGHNESS!**



ORIGINAL PRODUCT

H&L® TOOTH COMPANY

Factory Direct Made in Tulsa, Oklahoma

The "OEM" Flexpin Style WELD-ON ADAPTER design

2740-AEW-25

Excavator Weld-on Adapter

10.0#/4.54kgs.

H&L Tooth Company History since 1931:

This double strap weld-on adapter was first designed and introduced by H&L Tooth for the J. I. Case in 1982.

H&L's 2740-AEW-25 weld-on excavator adapter (Case #D129197) was developed for the Models 780CK and 880R Case Loader/Backhoe to replace the shorter top and bottom legged 2740-AW-25 adapter.

Today, H&L continues to produce the "Original" 2740-AEW-25 adapter and 252-Series tooth system.