

T150.2019

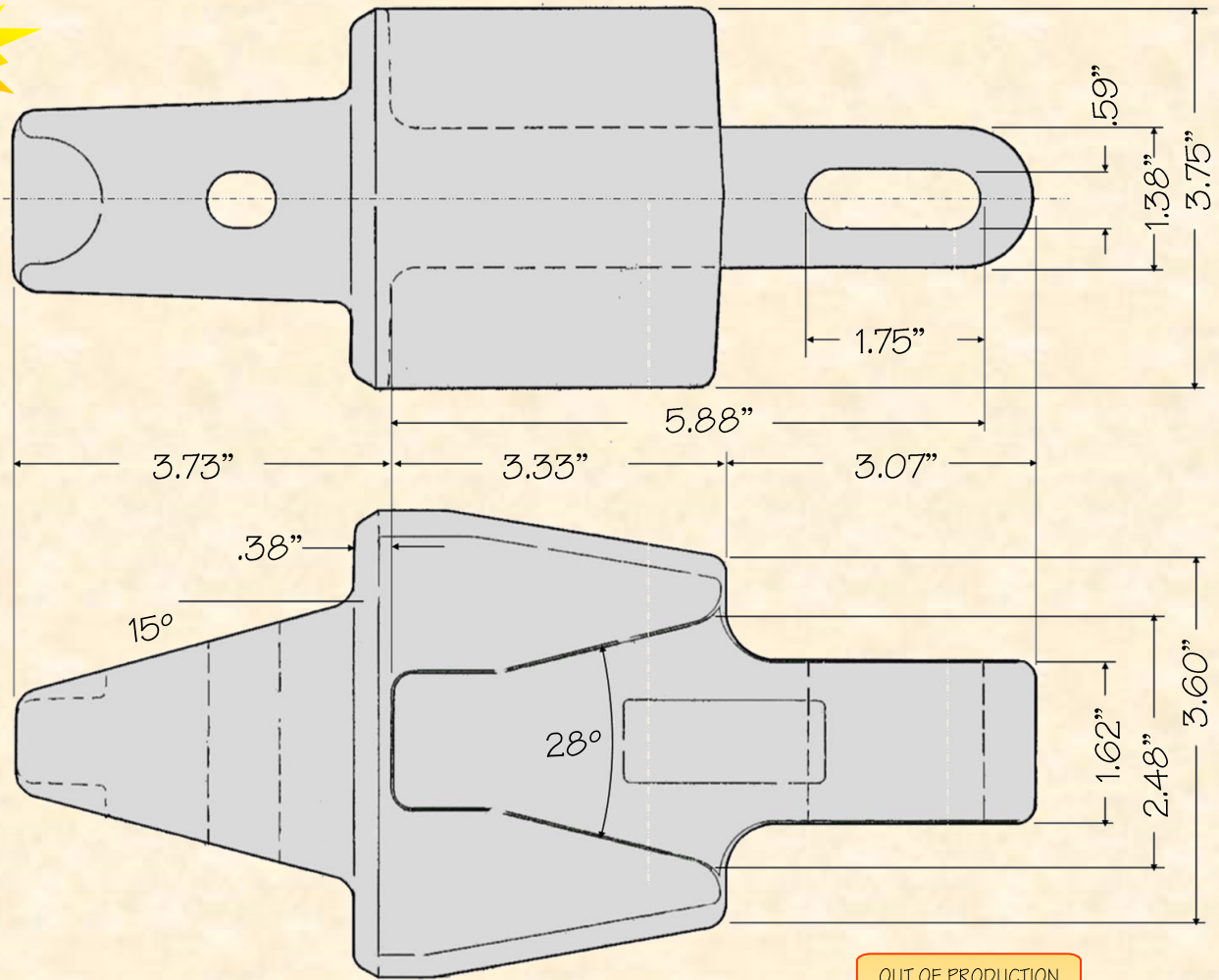


© H&L Tooth Company 2019

H&L's T-225-E-195 T-Adapters are produced from aircraft quality Chrom-Moly-Nickel grade alloy steels to enhance adapter **DURABILITY** and **TOUGHNESS!**



195SP Sharp Penetration



ORIGINAL PRODUCT

# H&L® TOOTH COMPANY

Factory Direct Made in Tulsa, Oklahoma H&L Tooth Company History since 1931:

Replaces "Esco" C-19 Cast Lip T-ADAPTERS

## T-225-E-195

Stake "T" Style Adapter  
17.0#/7.71kgs.



The T-225-Series was first designed and introduced by H&L back in 1969. The 195 Tooth and Flexpin style was originally design in 1985. The T-225-33 adapter is one of five different styles that H&L has produced. All T-225-Series adapters uses a wedge key attachment pin, H&L part number K-1252.