

T471.2019



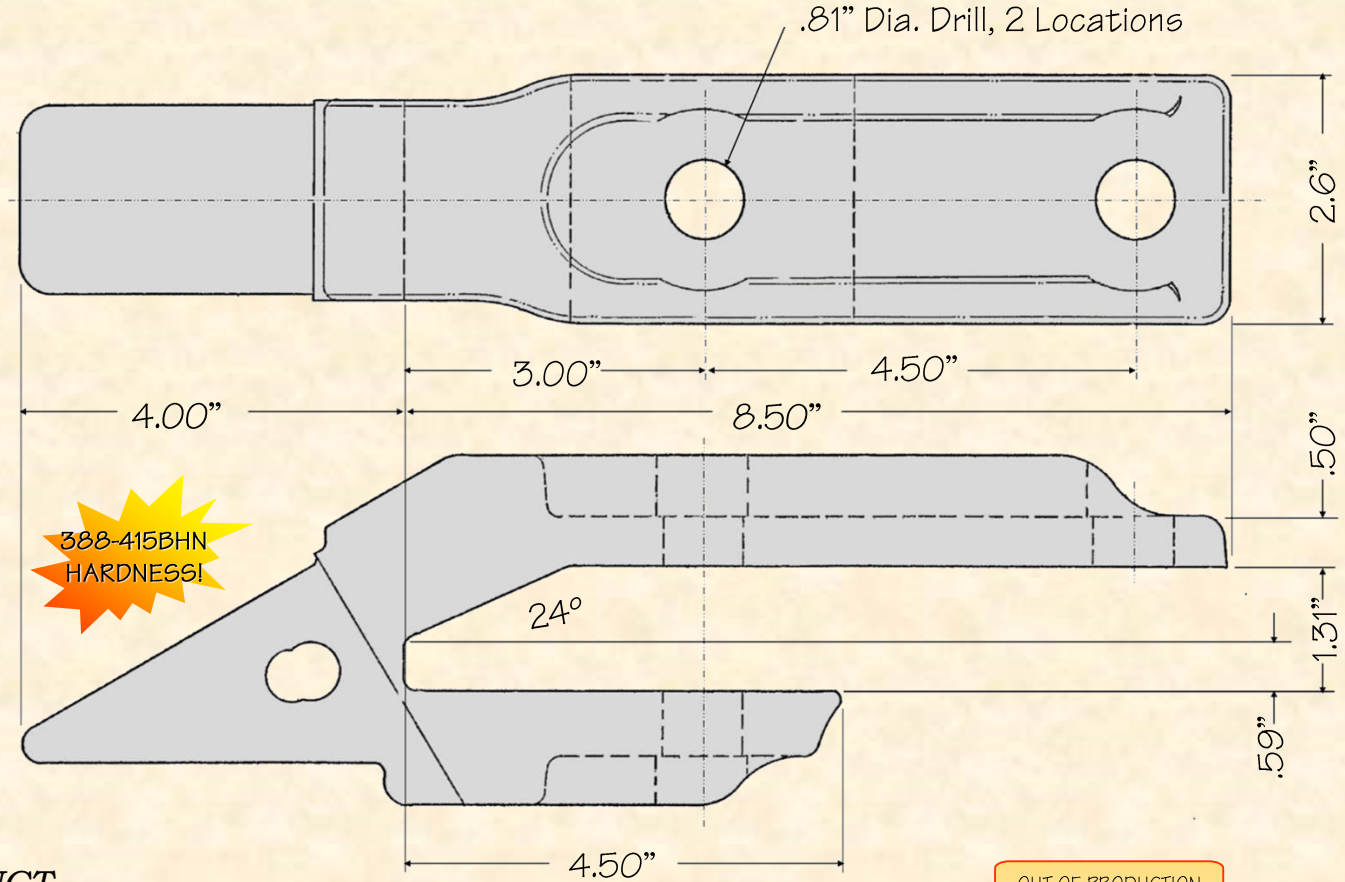
H&L's 251-112-19 Adapters are produced from aircraft quality Chrom-Moly grade alloy steels to enhance tooth **DURABILITY** and long **LASTING SHARPNESS!**

©H&L Tooth Company 2019

Uses Forged 252 Series tooth system.



25-26FP Flexpin®



ORIGINAL PRODUCT

H&L® TOOTH COMPANY

Factory Direct Made in Tulsa, Oklahoma

The "OEM" Bolt-on adapter design

251-112-19

Loader Style Adapter
10.0#/4.56 kgs.



H&L Tooth Company History since 1931:

This Loader style Adapter was created for the J; I. Case Company in 1980, OEM model number 1450, Assembly part number R47238. It was designed for a 1.31" lip opening and will fit most buckets designed for a 1.25-inch bucket lip

This Loader adapter uses the 25SP Flexpin Series tooth that was first designed and introduced in the 1956.