

T232.2020



**QUALITY**  
since 1931

© H&L Tooth Company 2020

H&L's HL-3G-5307 Cat Style Adapters are produced from aircraft quality Chrom-Moly-Nickel grade alloy steels to enhance adapter **DURABILITY** and **TOUGHNESS!**



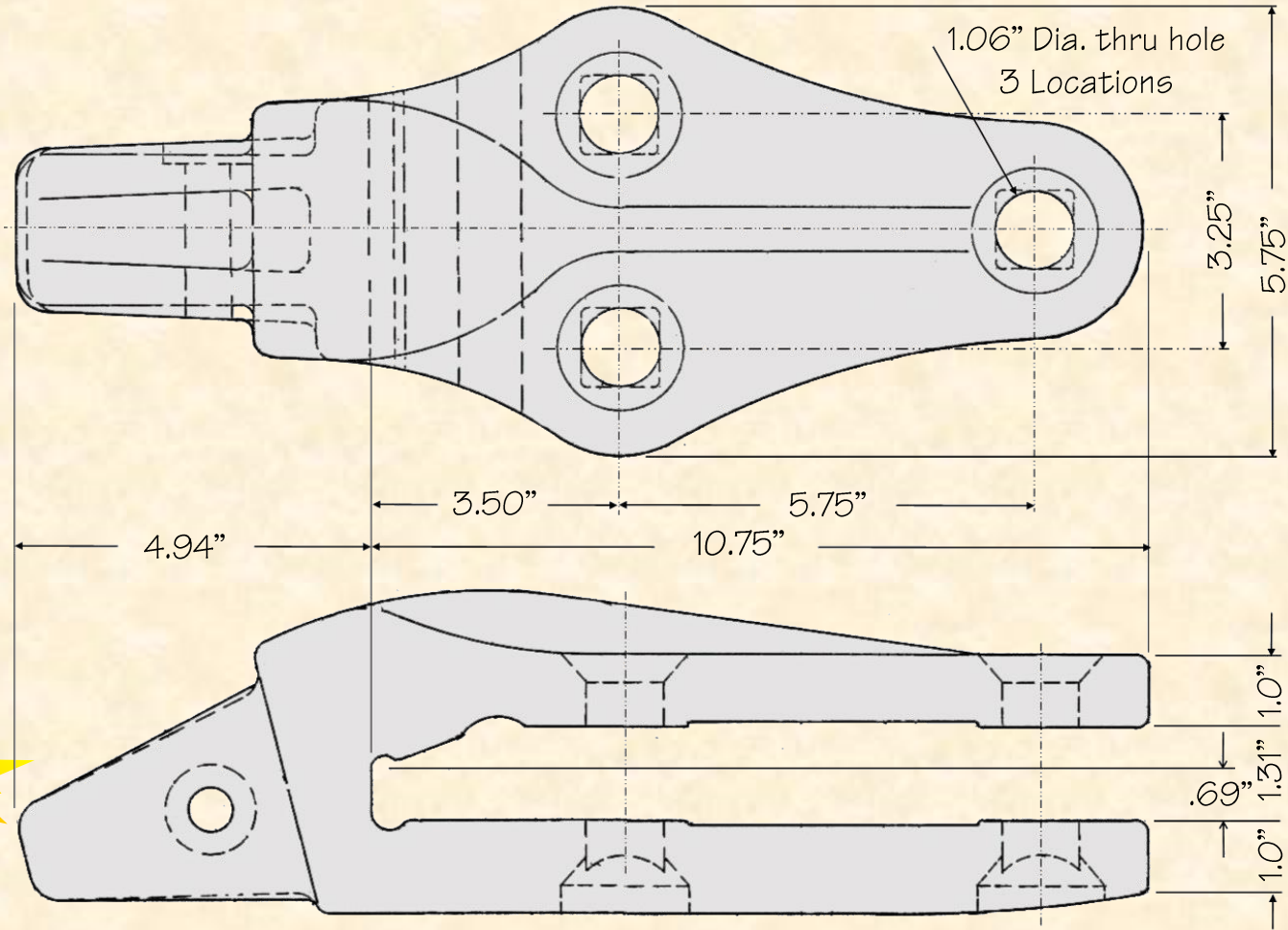
OUT OF PRODUCTION

**26**

REMAIN IN STOCK



**388-415BHN  
HARDNESS!**



ORIGINAL PRODUCT

**H&L® TOOTH COMPANY**

Factory Direct Made in Tulsa, Oklahoma

“CAT” Pin and Retainer Style ADAPTER design

**HL-3G-5307**

Loader Adapter  
31.5#/14.30kgs.

H&L Tooth Company History since 1931:

The HL-3G-5307 was first designed and introduced in 1978. It is interchangeable with Caterpillar 3G-5307 and fits a Caterpillar Loader Model 966C.



**FLASH SALE**  
•WHILE SUPPLIES LAST!

**\$69.80** each



**SPECIAL PRICE!**