

T235.2020

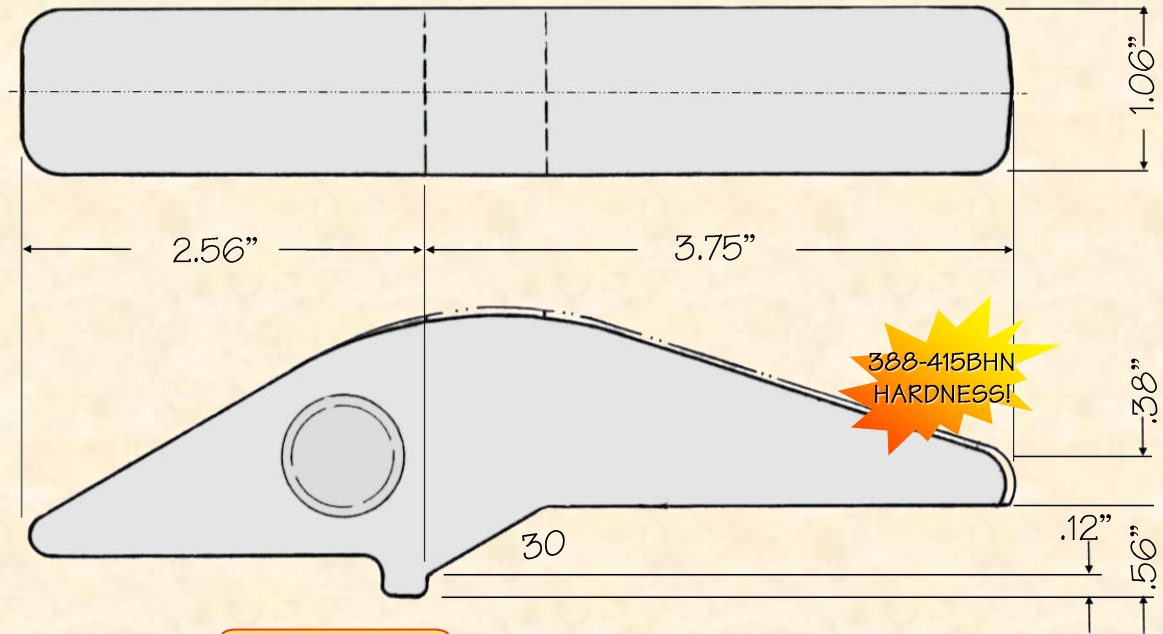


© H&L Tooth Company 2020

H&L's L-3288-BWS-2A Trenching Adapters are produced from aircraft quality Chrom-Moly grade alloy steels to enhance tooth **DURABILITY** and long **LASTING SHARPNESS!**



Uses fabricated 2AH Series tooth system.



OUT OF PRODUCTION
110
REMAIN IN STOCK

*H&L Tooth Company History since 1931:
This small top mounted weld-on loader adapter was first designed and introduced in 1961. H&L's adapter was developed to fit the International Harvester Farm Equipment.*

Today, the L-3288-BWS-2A is "out of production" with a few parts remaining in inventory. Very similar to the current L-2520-BW-2A Loader Adapter.

ORIGINAL PRODUCT
H&L® TOOTH COMPANY
Factory Direct Made in Tulsa, Oklahoma

The "OEM" Weld-on adapter design
L-3288-BWS-2A

Loader Adapter
3.5#/1.58kgs.

FLASH SALE
•WHILE SUPPLIES LAST!

\$7.04 each

