



Established 1931

©H&L Tooth Company 2020

# Tooth Company

**Weld-on 23SP AND 230SP Adapter Products for Backhoes, Mini-Excavators and Trenchers**



Tooth CLIP should **never** face or engage the ground.

Hardened tooth blade should always face the attack direction of the work tool.

Manufactured in the USA since 1945.



**23 and 230 Series Flexpin Connection**



Flexpin "LUGS" to the front of the bucket. About 1/8" compression between the tooth hole and the adapter nose hole.

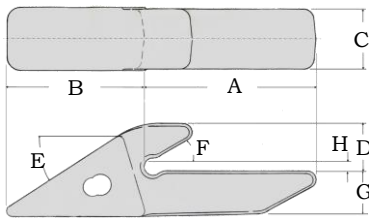
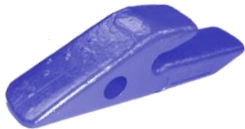
Install and Remove with B23HL Pin Caddy installation Tool



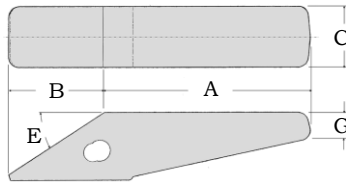
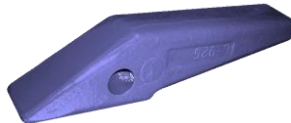
Duo purpose, forged in the USA 230 Series digging teeth...

H&L Part #	Style	A	B	C	D	E	F	G	H
D-834-23	1CW	4.06"	3.25"	1.50"	1.12"	33°	30°	1.00"	.25"
D-925-23	925	5.00"	2.50"	1.490"	n/a	33°	n/a	.62"	n/a
2740-AW-23	1W	4.50"	3.38"	1.490"	.91"	33°	23°	.53"	.28"
2740-MW-23	1W	6.00"	2.88"	1.490"	.91"	33°	23°	.40"	.28"
2740-W-23	1W	4.50"	3.38"	1.490"	1.06"	33°	23°	.53"	.28"
2740-ZW-23	1W	5.65"	3.50"	1.490"	1.06"	33°	23°	.53"	.28"

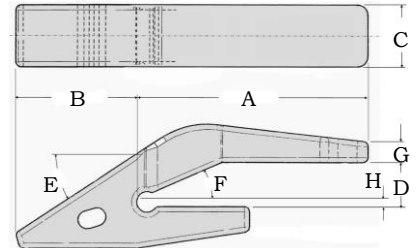
## Typical Dimensional layout



Style "1CW"



Style "925"



Style "1W"



for Backhoes...



for Mini-Excavators...



for Wheel Trenchers...

H&L offers GET products for all Makes and Models.

\*Is the registered trademark of the respective Company...

**Manufactured under multiple United States and foreign patents!**

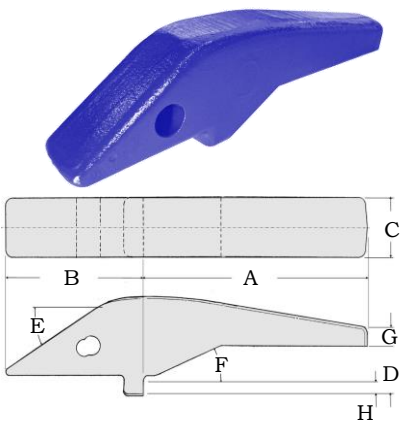
All H&L products WARRANTED against premature breakage!

www.hltooth.com • 1-800 HL TOOTH

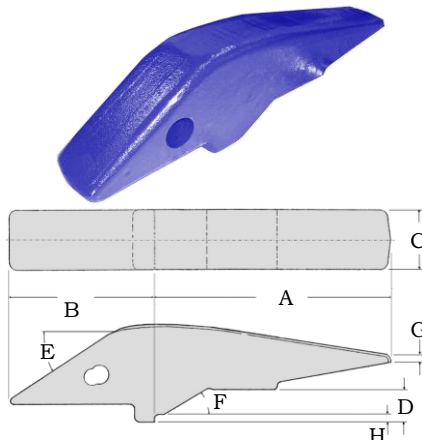
# Weld-on 230 series Adapter Products for Backhoes, Crawler Loaders and Wheel-Loader

H&L Part #	Style	A	B	C	D	E	F	G	H
L-4107-AJW-23	2BW	6.12"	3.38"	1.50"	<b>.50"</b>	33°	24°	.88"	.31"
L-4107-ANW-23	2BW	6.50"	3.00"	1.50"	<b>.75"</b>	33°	24°	n/a	n/a
L-4107-AW-23	1BW	6.00"	3.50"	1.50"	<b>.75"</b>	33°	23°	.88"	.12"
L-4107-GW-23	1BW	6.00"	3.50"	1.50"	<b>.75"</b>	33°	29°	.88"	.12"
L-4107-LW-23	2BW	6.00"	3.50"	1.50"	<b>.75"</b>	33°	23°	.56"	.12"
L-4107-NW-23	1BW	6.12"	3.38"	1.50"	<b>.75"</b>	33°	30°	.88"	n/a
L-4107-ZW-23	1BW	6.00"	3.50"	1.50"	<b>.75"</b>	33°	23°	.62"	.31"
L-4107-AFW-23	2BW	6.50"	3.12"	1.50"	<b>.75"</b>	33°	24°	.38"	n/a
L-2520-BW-23	1BW	4.50"	3.50"	1.50"	<b>.81"</b>	33°	23°	.62"	.12"
L-4006-W-23	1W	6.50"	3.12"	2.38"	<b>.81"</b>	33°	30°	.62"	.38"
L-4082-W-23	1W	6.50"	3.12"	2.38"	<b>.81"</b>	33°	23°	.62"	.19"
L-4107-RW-23	2BW	6.00"	3.50"	1.50"	<b>.81"</b>	33°	30°	.25"	.19"
L-4038-W-23	1W	6.00"	3.50"	2.38"	<b>.88"</b>	33°	30°	.62"	.25"
L-4107-AEW-23	1BW	6.00"	3.50"	1.50"	<b>.88"</b>	33°	23°	.62"	.25"
L-4107-AKW-23	1BW	6.00"	3.50"	1.50"	<b>.88"</b>	33°	30°	.75"	n/a
L-4107-APW-23	1BW	6.00"	3.50"	1.50"	<b>.88"</b>	33°	30°	.62"	.31"
L-4210-W-23	1W	5.62"	3.50"	2.38"	<b>.94"</b>	33°	23°	.56"	.31"
L-4107-AQW-23	1BW	6.00"	3.50"	1.50"	<b>1.00"</b>	33°	23°	.62"	.38"
L-4107-ARW-23	1BW	6.00"	3.50"	1.50"	<b>1.00"</b>	33°	30°	.62"	.38"
L-4107-BW-23	2BW	6.00"	3.50"	1.50"	<b>1.00"</b>	33°	25°	.56"	.19"
L-4023-W-23	1W	6.00"	3.50"	2.38"	<b>1.06"</b>	33°	23°	.62"	.38"
L-4128-W-23	1W	6.00"	3.50"	2.38"	<b>1.06"</b>	33°	30°	.56"	.25"
L-4191-W-23	1W	6.50"	3.12"	2.38"	<b>1.06"</b>	33°	30°	.56"	.19"
L-4107-AMW-23	1BW	6.00"	3.50"	1.50"	<b>1.19"</b>	33°	23°	.50"	.31"

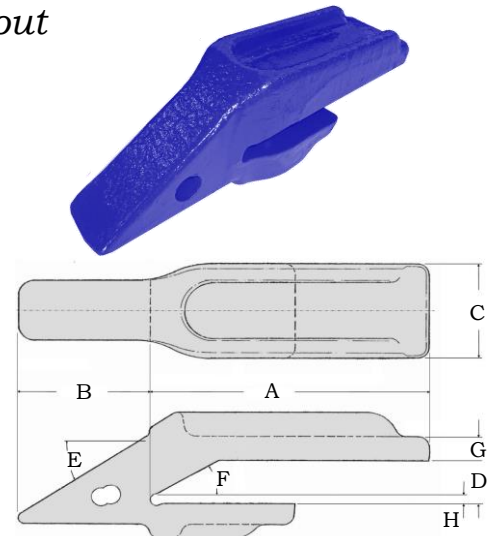
### Typical Dimensional layout



Style "1BW"



Style "2BW"



Style "1W"

**Manufactured under multiple United States and foreign patents!**

All H&L products **WARRANTED** against premature breakage!

[www.hltooth.com](http://www.hltooth.com) • 1-800 HL TOOTH



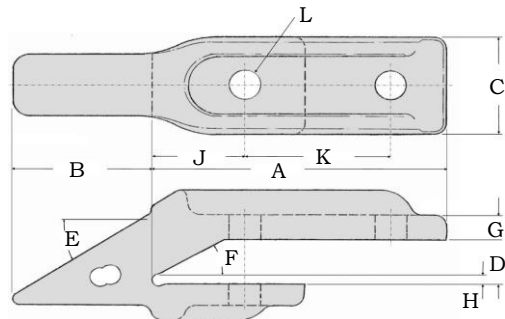
# Bolt-on 230 SERIES

## Leg and One-Half Adapter Products for Backhoes, Crawler Loaders and Wheel-Loader

H&L Part #	Style	A	B	C	D	E	F	G	H	J	K	L
L-4139-A-23	1	6.25"	3.38"	2.38"	.56"	33°	45°	1.00"	.12"	1.25"	3.00"	.69"
L-4301-23	1	5.25"	3.00"	2.38"	.69"	33°	23°	.88"	.38"	2.50"	1.75"	.81"
L-3445-A-23	1	5.38"	3.75"	2.12"	.69"	33°	24°	.88"	.19"	1.75"	3.00"	.69"
L-4031-23	1	6.50"	3.00"	2.38"	.81"	33°	23°	.81"	.19"	2.00"	3.00"	.69"
L-4206-23	1	6.38"	3.25"	2.38"	.81"	33°	23°	.75"	.12"	2.00"	3.50"	.56"
L-4082-23	1	6.50"	3.00"	2.38"	.81"	33°	23°	.69"	.19"	2.12"	3.00"	.69"
L-3445-23	1	6.50"	3.25"	2.12"	.81"	33°	23°	.75"	.19"	2.25"	3.00"	.69"
L-4006-23	1	6.25"	3.25"	2.38"	.81"	33°	30°	.69"	.31"	1.75"	3.00"	.56"
L-4258-23	1	6.62"	3.00"	2.38"	.88"	33°	22°	.75"	.12"	2.69"	1.62"	.69"
L-4287-23	1	5.75"	3.25"	2.38"	.88"	33°	30°	.62"	.41"	2.50"	2.25"	.69"
L-4325-23	1	6.25"	3.25"	2.38"	.94"	33°	23°	.75"	.31"	2.00"	3.00"	.69"
L-4210-23	1	5.62"	3.25"	2.38"	.94"	33°	23°	.62"	.31"	2.31"	2.38"	.56"
L-4274-23	1	6.50"	3.00"	2.38"	.94"	33°	30°	.69"	.19"	2.00"	3.25"	.69"
L-4329-23	1	6.38"	3.25"	2.38"	1.06"	33°	23°	.62"	.44"	2.00"	3.50"	.69"
L-4275-23	1	5.62"	3.00"	2.38"	1.06"	33°	23°	.50"	.22"	2.44"	2.00"	.56"
L-4275-23	1	5.62"	3.25"	2.38"	1.06"	33°	23°	.50"	.19"	2.44"	2.00"	.56"
L-4048-23	1	5.25"	3.25"	2.38"	1.06"	33°	26°	.56"	.19"	2.50"	2.00"	.69"
230-110-13	1	6.00"	3.25"	2.38"	1.06"	33°	30°	.56"	.19"	1.88"	3.12"	.69"
L-4193-23	1	6.50"	3.00"	2.38"	1.06"	33°	30°	.56"	.19"	2.00"	3.25"	.69"
L-4331-23	1	6.38"	3.25"	2.38"	1.06"	33°	30°	.56"	.25"	2.12"	3.06"	.69"
L-4328-23	1	6.50"	3.00"	2.38"	1.06"	33°	30°	.56"	.19"	2.12"	3.62"	.56"
L-4286-23	1	5.75"	3.38"	2.38"	1.19"	33°	30°	.50"	.44"	2.38"	2.38"	.56"
230-112-00	1	6.50"	3.00"	2.38"	1.31"	33°	24°	.31"	.19"	2.25"	3.25"	.69"

Typical Dimensional layout

**The Original  
230-Series OEM!**



Style "1"

**The LARGEST 230 BACKHOE  
Tooth offering in the WORLD!**

**Manufactured under multiple United States and foreign patents!**

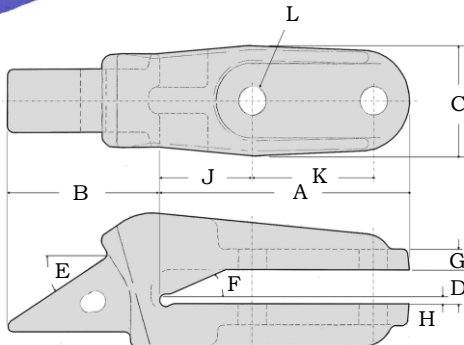
All H&L products **WARRANTED** against premature breakage!

[www.hltooth.com](http://www.hltooth.com) • 1-800 HL TOOTH

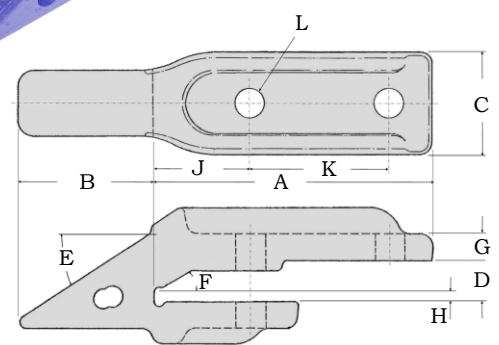
# Bolt-on 230 SERIES Double Leg or Double Stepped-Lip type Adapter Products for Backhoes, Crawler Loaders and Wheel-Loader

H&L Part #	Style	A	B	C	D	E	F	G	H	J	K	L
L-4280-23	2	6.12"	3.38"	2.38"	.81"	33°	23°	.69"	.19"	1.88"	3.50"	.56"
L-3445-D-23	1A	6.12"	3.00"	2.62"	.81"	33°	23°	.50"	.19"	2.25"	3.00"	.69"
L-4134-23	2	6.50"	3.00"	2.38"	.94"	33°	23°	.50"	.19"	2.25"	3.25"	.69"
L-4241-23	2	6.25"	3.25"	2.38"	.94"	33°	30°	.56"	.12"	2.06"	3.25"	.69"
L-4012-23	2	6.50"	3.00"	2.38"	.94"	33°	30°	.62"	.19"	2.25"	3.25"	.69"
L-4303-23	1A	5.81"	3.75"	2.62"	1.06"	33°	23°	.44"	.25"	2.75"	2.25"	.81"
L-4013-23	2	6.50"	3.00"	2.38"	1.06"	33°	30°	.50"	.19"	2.25"	3.25"	.69"
L-4242-23	2	6.20"	3.25"	2.38"	1.25"	33°	30°	.38"	.25"	2.06"	3.25"	.69"
L-4070-23	2	6.50"	3.00"	2.38"	1.44"	33°	30°	.38"	.19"	2.25"	3.25"	.69"

*Typical Dimensional layout*



*Style "1A"*



*Style "2"*



H&L offers GET products for all Makes and Models.

\*Is the registered trademark of the respective Company...

**Manufactured under multiple United States and foreign patents!**

All H&L products **WARRANTED** against premature breakage!

[www.hltooth.com](http://www.hltooth.com) • 1-800 HL TOOTH



# Cross Reference of H&L Adapter Products

The H&L 23/230-series tooth-Adapter system has been the OEM choice for over 75-years and are still Made in the USA!

## Case Cross Reference

7703990	2740W-23
7704302	2740AW-23
7704803	L-3445-23
B90568	2740AW-23
B90567	2740MW-23
B91262	2740W-23
B91263	L-3445A-23
B91264	L-3445A-23
B91265	L-3445D-23
B91266	L-3445D-23
B91340	D-834Y-23
D40499	L-3445-23
D41656	D-834-23
D41659	D-834Y-23
D48212	2740ZW-23
D49198	L-4329-23
D49596	L-3445-23
D50780	L-3445-23
D91886	2740ZW-23
D138157	2740AFW-23
D139843	2740ZW-23
L11678	L-4013-23
L16667	L-4012-23
L43266	2740W-23
L47030	L-3445-23
L49506	L-3445-23
L49586	L-3445-23
L77908	L-3445A-23
L123725	L-3445D-23
L302016	L-4286-23
R52645	L3445-D-23
R500567	2740MW-23
R500568	2740AW-23
ZJZ83423	D-834-23

## Massey-Ferguson Cross Reference

486912 R1	D-834-23
707718 M91	D-834Y-23
721269 M92	L-4107LW-23
721270 M2	L-4107LW-23
723972 M91	L-2920W-23
724175 M92	L-2920W-23
724128 M1	L-4107PW-23
724129 M91	L-4107PW-23
724598 M91	L-4134-23
724611 M1	L-4134-23
728059 M91	L-4107SW-23
728060 M1	L-4107SW-23
1096824 M91	L-4107RW-23
2754817 M91	L-4107RW-23

## Deere Cross Reference

417X230	2740MW-23
5X-1216	D-834-23
5X-5256	2740W-23
5X-6548	2740W-23
5AX-6389	2740AW-23
AT34983	2740MW-23
AT76970	2740AW-23
AT142895	L-4013-23
AU12203	D-834Y-23
AU41838	2740AW-23
AU42457	2740W-23
PM2300-32	D-834Y-23
PM2300-FL	L-4107LW-23
PMD834-23	D-834-23
T36126	2740MW-23
T128889	L-4031-23
T728X230	2740AW-23
U13928	D-834-23
U16864	L-4013-23
U42750	2740AW-23
U43792	2740W-23

## Gannon Cross Reference

D10-9	L-4107AHW-23
D10-13	2740W-23
D10-19	L-4242-23
D10-22	2740MW-23
D10-23	L-4107AFW-23
D10-25	L-4107AGW-23
D10-26	L-4241-23
D10-28	L-4107AJW-23

## Eaton Cross Reference

2045977	L-2113A-23
2047276	230-107-01
2047277	L-2145A-23
2060070	L-2113B-23
2080294	L-2113C-23

## Clark-Handcock Cross Reference

562658	230-106-10
562661	230-106-10
947592	D-834-23
1553698	L-2229-23
6519899	D-834Y-23

## International-Harvester Cross Reference

486911 R91	D-834-23
486928 R1	3267W-23
528483 R1	L-2930-23
532907 R91	230-106-02
532908 R1	230-106-02
532946 R91	2740W-23
532947 R1	2740W-23
536048 R1	L-4275-23
547104 R91	3267AW-23
547182 R1	3267AW-23
677612 R1	L-4013-23
943013 C1	L-4210-23
944090 C1	L-4210-23

## Fiat-Allis Cross Reference

1003013	L-3252-23
1003369	L-3252-23
1004604	L-3251-23
1004605	L-3251-23
1010151	L-3252-23
1010153	L-3251-23
2019898	L-2987W-23
7246487	L-3252-23
72015516	L-3383-23
72017634	D-834Y-23
73018369	230-106-08
73018370	230-106-08

## Ford Cross Reference

293005	D-834-23
293006	D-834-23
293008	D-834-23
532908	230-106-02
537087	L-4107KW-23
561477	L-4193-23
561734	L-4193-23
565070	L-4193-23
565189	230-110-13
566719	L-4274-23
566720	L-4274-23
7701743	2740AW-23
7703990	2740AW-23
7703999	2740AW-23
7704301	2740W-23
7704302	2740W-23
7704803	D-834-23
7706608	2740W-23
7706609	2740AW-23
D-3NN-293-A	L-4193-23
D-3NN-294-A	L-4193-23

**Please be aware that some Cross Referenced numbers are obsolete and no longer produced.**



for Backhoes...



for Mini-Excavators...



for Wheel Trenchers...

H&L offers GET products for all Makes and Models.

\*Is the registered trademark of the respective Company...

**Manufactured under multiple United States and foreign patents!**

All H&L products WARRANTED against premature breakage!

www.hltooth.com • 1-800 HL TOOTH