



Established 1931

©H&L Tooth Company 2020

# Tooth Company

**Weld-on 24SP AND 240SP Adapter Products**  
for Backhoes, Crawler Loaders and Wheel-Loader



Forged 240ST Star tooth  
for greater penetration!

Manufactured in the  
USA since 1945.



**24 and 240  
Series  
Flexpin  
Connection**



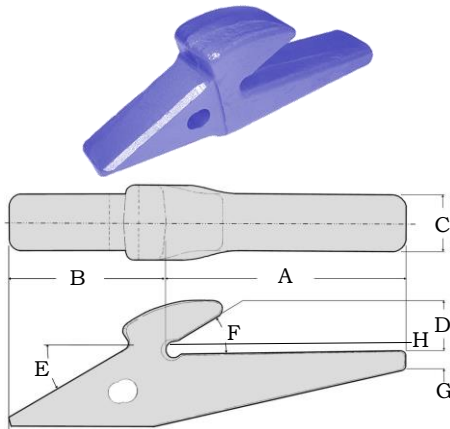
About 1/8" compression  
between the tooth hole and  
the adapter nose hole and  
are reversible.

Duo purpose,  
forged in the USA  
240 Series  
digging teeth...

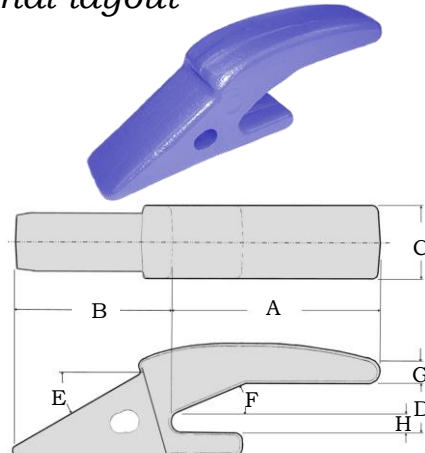


H&L Part #	Style	A	B	C	D	E	F	G	H
2740-KW-24	1W	5.50"	4.25"	1.50"	<b>1.06"</b>	30°	23°	.38"	.38"
3000-W-24	1CW	6.50"	4.25"	1.50"	<b>1.25"</b>	30°	30°	.50"	.38"
3000-AW-24	1CW	6.50"	4.25"	1.50"	<b>1.25"</b>	30°	23°	.50"	.38"
2740-AW-24	1W	5.62"	4.25"	2.00"	<b>1.31"</b>	30°	23°	.50"	.50"
2740-FW-24	1W	5.62"	4.25"	2.00"	<b>1.56"</b>	30°	23°	.50"	.50"

## Typical Dimensional layout



Style "1CW"



Style "1W"



for Backhoes...



for Mini-Excavators...



for Wheel Trenchers...

H&L offers GET products for all Makes and Models.

\*Is the registered trademark of the respective Company...

**Manufactured under multiple United States and foreign patents!**

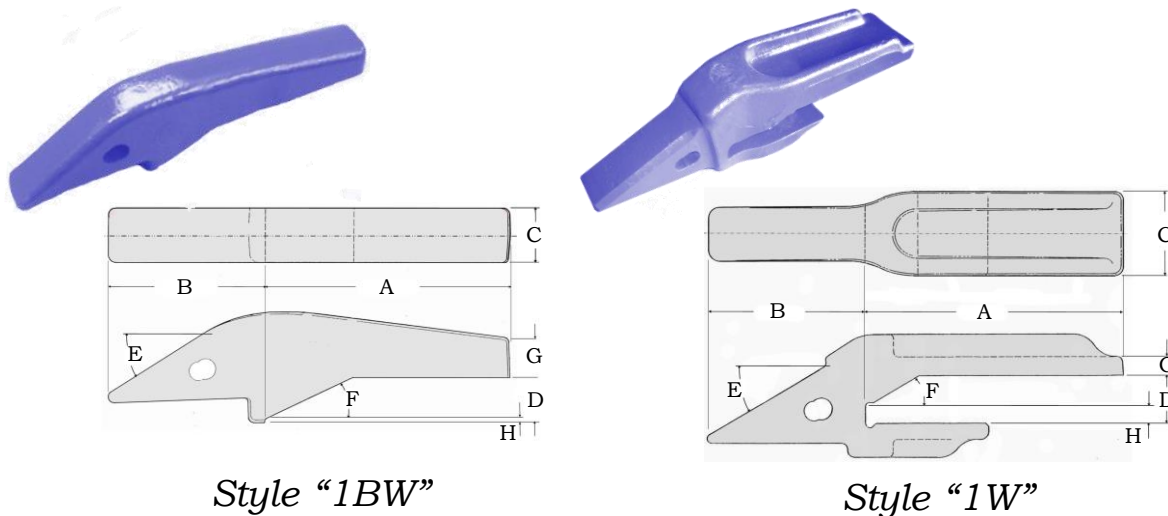
All H&L products **WARRANTED** against premature breakage!

[www.hltooth.com](http://www.hltooth.com) • 1-800 HL TOOTH

# Weld-on 240 series Adapter Products for Backhoes, Crawler Loaders and Wheel-Loader

H&L Part #	Style	A	B	C	D	E	F	G	H
L-4108-BDW-24	1BW	6.75"	4.50"	1.50"	<b>.88"</b>	32°	23°	1.25"	.25"
L-4108-SW-24	1BW	6.75"	4.50"	1.50"	<b>.88"</b>	32°	30°	1.25"	.31"
L-4210-W-24	1W	7.44"	4.50"	2.38"	<b>.94"</b>	30°	23°	.75"	.31"
L-4038-W-24	1W	7.38"	4.50"	2.38"	<b>.94"</b>	30°	30°	.75"	.25"
L-4108-APW-24	1BW	6.75"	4.50"	1.50"	<b>1.00"</b>	32°	25°	1.12"	.38"
L-4108-AW-24	1BW	6.88"	4.25"	1.50"	<b>1.00"</b>	32°	24°	1.12"	n/a
L-4108-TW-24	1BW	6.75"	4.50"	1.50"	<b>1.00"</b>	32°	32°	1.12"	.25"
L-4128-W-24	1W	7.25"	4.25"	2.38"	<b>1.06"</b>	30°	30°	.75"	.25"
L-4195-W-24	1W	7.25"	4.25"	2.38"	<b>1.06"</b>	30°	23°	.62"	.50"
L-4108-AGW-24	1BW	7.00"	4.25"	1.50"	<b>1.12"</b>	32°	30°	1.12"	n/a
L-4008-W-24	1W	7.25"	4.25"	2.38"	<b>1.16"</b>	30°	26°	.56"	.12"
L-4108-BW-24	1BW	6.75"	4.50"	1.50"	<b>1.19"</b>	32°	24°	1.00"	n/a
L-4108-ASW-24	1BW	6.62"	4.50"	1.50"	<b>1.25"</b>	32°	30°	.88"	.50"
L-4108-BGW-24	1BW	6.62"	4.50"	1.50"	<b>1.25"</b>	32°	23°	.88"	.50"
L-4143-W-24	1W	7.25"	4.25"	2.38"	<b>1.31"</b>	30°	23°	.56"	.56"
L-4201-W-24	1W	7.25"	4.25"	2.38"	<b>1.31"</b>	30°	30°	.56"	.56"
L-4001-W-24	1W	7.25"	4.25"	2.38"	<b>1.44"</b>	30°	27°	.38"	.25"

### Typical Dimensional layout



*for Wheel Loaders...*



H&L offers GET products for all Makes and Models.



*for Crawler Loaders...*



\*Is the registered trademark of the respective Company...

**Manufactured under multiple United States and foreign patents!**

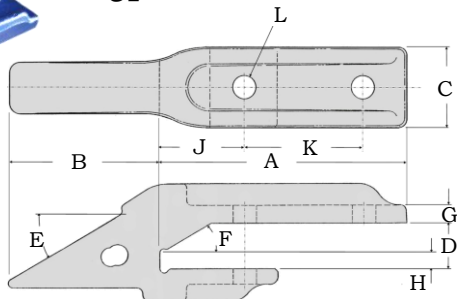
All H&L products **WARRANTED** against premature breakage!

www.hltooth.com • 1-800 HL TOOTH

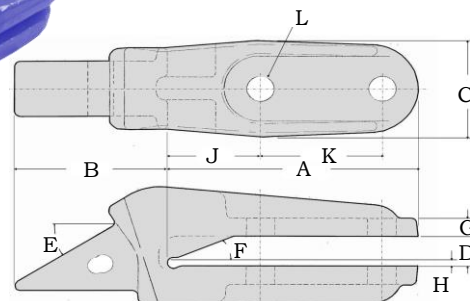
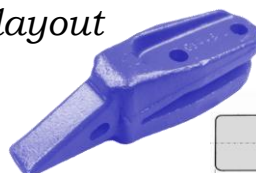
# Bolt-on 240 series Adapter Products for Backhoes, Crawler Loaders and Wheel-Loader

H&L Part #	Style	A	B	C	D	E	F	G	H	J	K	L
L-2021-F-24	2A	7.38"	4.50"	2.88"	.81"	30°	25°	1.00"	.28"	3.38"	3.00"	.69"
L-4031-24	1	7.06"	4.62"	2.38"	.81"	30°	23°	.69"	.19"	2.00"	3.00"	.69"
L-3445-D-24	1A	6.00"	4.62"	2.75"	.81"	30°	23°	.50"	.19"	2.25"	3.00"	.69"
L-4324-24	1	7.50"	4.25"	2.38"	.81"	30°	23°	.75"	.19"	2.75"	3.00"	.69"
L-4243-24	1	7.50"	4.25"	2.38"	.85"	30°	22°	.62"	.38"	2.36"	4.33"	.69"
L-4252-24	1	7.60"	4.12"	2.38"	.85"	30°	22°	.69"	.31"	2.48"	4.33"	.81"
L-4108-BF-24	1B	7.00"	4.00"	1.50"	1.00"	30°	23°	1.00"	.19"	2.46"	3.50"	.69"
L-4302-24	1	6.00"	4.12"	2.38"	1.06"	30°	20°	.62"	.31"	2.75"	2.25"	.69"
L-4261-24	1	7.50"	4.25"	2.38"	1.06"	30°	22°	.56"	.38"	2.75"	3.50"	.69"
L-4195-24	1	7.50"	4.25"	2.38"	1.06"	30°	22°	.56"	.50"	2.75"	4.72"	.81"
L-3251-24	1A	8.00"	4.50"	3.19"	1.06"	30°	23°	.81"	.19"	2.25"	5.00"	.56"
L-3679-A-24	1A	7.75"	4.88"	3.62"	1.06"	30°	23°	.62"	.41"	2.78"	3.75"	.81"
L-4214-24	1	7.50"	4.25"	2.38"	1.06"	30°	24°	.62"	.44"	2.75"	3.75"	.69"
L-4191-24	1	7.50"	4.25"	2.38"	1.06"	30°	30°	.62"	.19"	2.00"	4.62"	.69"
L-4128-24	1	7.25"	4.50"	2.38"	1.06"	30°	30°	.75"	.25"	2.50"	3.50"	.69"
L-4289-24	1	7.50"	4.25"	2.38"	1.06"	30°	32°	.56"	.47"	2.62"	3.50"	.81"
L-3204-24	1	10.25"	4.88"	2.00"	1.19"	30°	35°	.88"	.12"	2.75"	6.50"	.69"
L-4224-24	1	8.40"	4.25"	2.50"	1.31"	30°	22°	.62"	.44"	3.20"	3.85"	.81"
L-4202-24	1	7.25"	4.50"	2.38"	1.31"	30°	30°	.50"	.44"	2.50"	3.50"	.69"
L-3203-24	1	10.00"	4.50"	2.00"	1.31"	30°	33°	.94"	.25"	3.00"	6.00"	.69"
L-2628-24	1	7.94"	4.25"	2.00"	1.31"	30°	33°	.94"	.25"	3.00"	6.00"	.69"

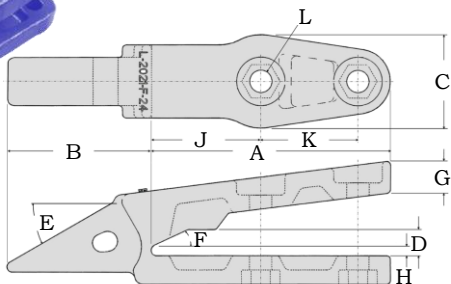
## Typical Dimensional layout



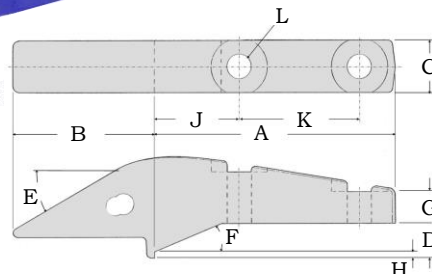
Style "1"



Style "1A"



Style "2A"



Style "1B"

Manufactured under multiple United States and foreign patents!

All H&L products WARRANTED against premature breakage!

www.hltooth.com • 1-800 HL TOOTH

# Cross Reference of H&L Adapter Products

The H&L 24/240-series tooth-Adapter system has been the OEM choice for over 75-years and are still Made in the USA!

## Case Cross Reference

7703112	2740KW-24
B91266	L-3445D-24
B91267	L-3679-24
B91268	L-3679A-24
B91271	L-2021F-24
B91272	L-4108BF-24
B91274	L-4128-24
B91277	L-4202-24
B91278	L-4161-24
D40445	L-2628-24
D48497	L-4128-24
L57494	240-312-02
L48497	L-4128-24
L58824	L-4202-24
L105651	L-4202-24
L109023	L-4108BF-24
L112739	L-2021F-24
L123725	L-3445D-24
L126897	L-3679B-24
R51170	L-3637A-24
R33528	L-4214-24
R33529	L-4214-24
R54275	L3679A-24
R54276	L-3679-24
ZJZ2740KW	2740KW-24

## Clark-Handcock Cross Reference

562662	240-110-14
562665	240-110-14
15D8218	3000W-24

## Fiat-Allis Cross Reference

73128504	L-4252-24
----------	-----------

## Ford Cross Reference

7703112	2740KW-24
7703303	2740KW-24
7706611	2740KW-24

## Deere Cross Reference

AT34277	240-114-05
AU13811	L-3204-24
PM2740-24	2740W-24
T29886	L-3203-24
U41344	L-4059-24

## Massey-Ferguson Cross Reference

725966 M1	3000AW-24
-----------	-----------

## Eaton Cross Reference

2038952	L-1954-24
2063578	L2839W-24
2091127	L-4157-24
2091128	L-4157-24
2096005	L-2021F-24
2096006	L-2021F-24
2097783	L-4278-24

**Please be aware that some Cross Referenced numbers are obsolete and no longer produced.**

**for Wheel Loaders...**



H&L offers GET products for all Makes and Models.



\*Is the registered trademark of the respective Company...

**for Crawler Loaders...**



**Manufactured under multiple United States and foreign patents!**

All H&L products WARRANTED against premature breakage!

www.hltooth.com • 1-800 HL TOOTH