



Established 1931

©H&L Tooth Company 2020

Tooth Company

**Weld-on 25 AND 252SP Adapter Products
for Backhoes, Mini-Excavators and Trenchers**



Forged 252ST
Star tooth for
greater penetration!

Manufactured in the
USA since 1945.



**25 and 252
Series
Flexpin
Connection**



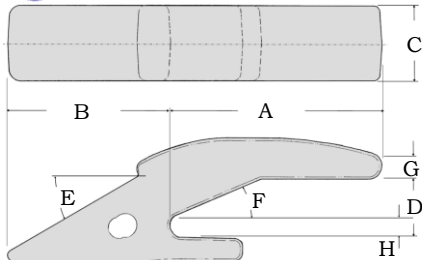
About 1/8" compression
between the tooth hole and
the adapter nose hole and
are reversible.

Duo purpose,
forged in the USA
252 Series
digging teeth...

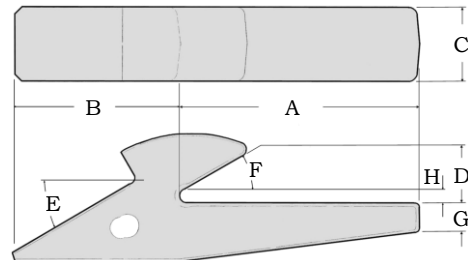


H&L Part #	Style	A	B	C	D	E	F	G	H
2740-AW-25	1W	5.62"	4.25"	2.00"	1.31"	30°	23°	.56"	.50"
2740-AEW-25	1W	7.00"	4.25"	2.00"	1.34"	30°	23°	.56"	.56"
2740-FW-25	1W	5.62"	4.25"	2.00"	1.56"	30°	23°	.56"	.56"
3000-AW-25	1CW	6.50"	4.50"	2.00"	1.75"	30°	24°	.75"	.38"
3000-W-25	1CW	6.50"	4.50"	2.00"	1.75"	30°	30°	.75"	.38"

Typical Dimensional layout



Style "1W"



Style "1CW"



for Backhoes...



for Excavators...

H&L offers GET products for all Makes and Models.

*Is the registered trademark of the respective Company...

Manufactured under multiple United States and foreign patents!

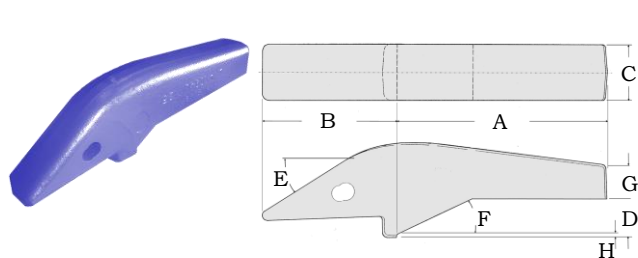
All H&L products WARRANTED against premature breakage!

www.hltooth.com • 1-800 HL TOOTH

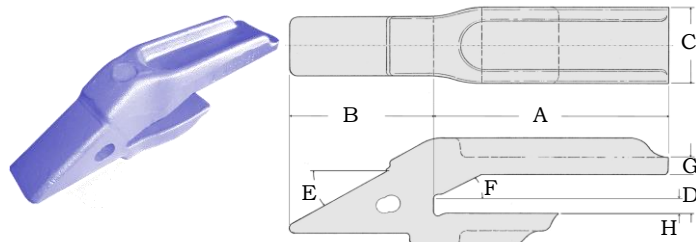
Weld-on 252 series Adapter Products for Backhoes, Crawler Loaders and Wheel-Loader

H&L Part #	Style	A	B	C	D	E	F	G	H
L-4109-AUW-25	1BW	7.62"	4.88"	2.00"	1.00"	32°	23°	1.25"	.38"
L-4109-ASW-25	1BW	7.62"	4.88"	2.00"	1.00"	32°	25°	1.25"	.38"
L-4109-BVW-25	1BW	7.62"	4.88"	2.00"	1.00"	32°	30°	1.25"	.38"
L-4109-KW-25	1BW	7.19"	5.25"	2.00"	1.00"	32°	30°	1.38"	.12"
L-4109-UW-25	1BW	7.50"	5.00"	2.00"	1.06"	32°	23°	1.38"	.56"
L-4109-VW-25	1BW	7.50"	5.00"	2.00"	1.25"	32°	23°	1.38"	.38"
L-4109-BNW-25	1BW	7.62"	4.88"	2.00"	1.25"	32°	23°	1.25"	.50"
L-4109-BEW-25	1BW	7.62"	4.88"	2.00"	1.25"	32°	23°	1.25"	.25"
L-4109-CW-25	1BW	7.50"	5.00"	2.00"	1.25"	32°	24°	1.25"	n/a
L-4109-ACW-25	1BW	7.62"	4.88"	2.00"	1.25"	32°	30°	1.19"	.50"
L-4109-ALW-25	1BW	7.62"	4.88"	2.00"	1.25"	32°	30°	1.25"	.25"
L-4109-AW-25	1BW	7.62"	4.88"	2.00"	1.31"	32°	23°	1.25"	n/a
L-4109-AHW-25	1BW	7.50"	5.00"	2.00"	1.31"	32°	23°	1.19"	.50"
L-4109-AXW-25	1BW	7.62"	4.88"	2.00"	1.38"	32°	23°	1.25"	.12"
L-4109-BXW-25	1BW	7.62"	4.88"	2.00"	1.50"	32°	23°	1.12"	.62"
L-4109-BUW-25	1BW	7.70"	4.75"	2.00"	1.50"	32°	30°	1.12"	n/a
L-4109-BYW-25	1BW	7.62"	4.88"	2.00"	1.50"	32°	30°	1.12"	.62"
L-4109-AJW-25	1BW	7.50"	5.00"	2.00"	1.50"	32°	30°	.88"	.25"
L-4109-HW-25	1BW	7.19"	5.25"	2.00"	1.56"	32°	26°	.94"	.25"
L-4109-AEW-25	1BW	7.25"	5.25"	2.00"	1.75"	32°	20°	.75"	.38"
L-4109-ATW-25	1BW	7.50"	5.00"	2.00"	1.88"	32°	25°	.75"	.44"
L-4023-W-25	1W	8.25"	4.50"	2.62"	1.06"	30°	23°	.75"	.31"
L-4128-W-25	1W	8.25"	4.50"	2.62"	1.06"	30°	30°	.75"	.31"
L-4143-W-25	1W	8.25"	4.50"	2.62"	1.31"	30°	23°	.56"	.50"
L-4201-W-25	1W	8.25"	4.50"	2.62"	1.31"	30°	30°	.56"	.50"
L-4290-W-25	1W	8.25"	4.50"	2.62"	1.56"	30°	23°	.50"	.62"
L-4001-W-25	1W	8.50"	4.25"	2.62"	1.44"	30°	24°	.56"	.25"
L-4291-W-25	1W	8.25"	4.50"	2.62"	1.56"	30°	30°	.50"	.62"

Typical Dimensional layout



Style "1BW"



Style "1W"

for Wheel Loaders...



for Crawler Loaders...



H&L offers GET products for all Makes and Models.

*Is the registered trademark of the respective Company...

Manufactured under multiple United States and foreign patents!

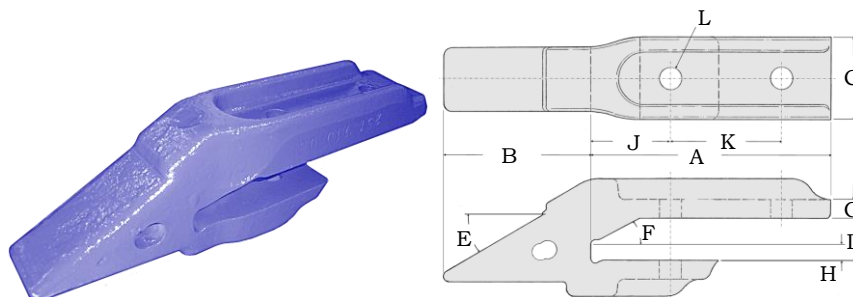
All H&L products **WARRANTED** against premature breakage!

www.hltooth.com • 1-800 HL TOOTH

Bolt-on 252 Leg and Half Adapter Products for Backhoes, Crawler Loaders and Wheel-Loader

H&L Part #	Style	A	B	C	D	E	F	G	H	J	K	L
L-4195-25	1	8.50"	4.00"	2.56"	1.06"	30°	22°	.75"	.50"	2.75"	4.72"	.81"
L-4244-25	1	6.75"	4.25"	2.56"	1.06"	30°	22°	.88"	.31"	2.75"	3.00"	.69"
L-4051-25	1	8.50"	4.00"	2.56"	1.06"	30°	23°	.69"	.12"	2.62"	4.00"	.81"
L-4343-25	1	8.25"	4.25"	2.56"	1.06"	30°	23°	.69"	.12"	2.81"	2.75"	.69"
L-4041-25	1	8.50"	4.00"	2.56"	1.06"	30°	23°	.75"	.19"	2.75"	4.50"	.69"
L-4161-25	1	8.25"	4.25"	2.56"	1.06"	30°	23°	.75"	.19"	3.00"	4.00"	.69"
L-4027-25	1	8.50"	4.00"	2.56"	1.06"	30°	24°	.75"	.12"	3.31"	3.50"	.69"
L-4079-25	1	8.50"	4.00"	2.56"	1.06"	30°	24°	.81"	.44"	3.25"	3.75"	.69"
L-4346-25	1	8.00"	4.50"	2.56"	1.06"	30°	25°	.75"	.38"	2.00"	4.69"	.81"
L-4133-25	1	8.50"	4.00"	2.56"	1.06"	30°	26°	.75"	.25"	3.19"	3.06"	.81"
L-4342-25	1	8.00"	4.50"	2.56"	1.06"	30°	26°	.75"	.19"	2.50"	3.88"	.81"
L-4052-25	1	8.25"	4.25"	2.56"	1.06"	30°	30°	.62"	.19"	2.12"	3.62"	.69"
L-4128-25	1	8.50"	4.00"	2.56"	1.06"	30°	30°	.75"	.25"	2.50"	3.50"	.69"
L-4347-25	1	8.38"	4.25"	2.56"	1.19"	30°	28°	.69"	.19"	3.31"	4.00"	.69"
L-4225-25	1	8.25"	4.25"	2.56"	1.31"	30°	23°	.75"	.50"	3.00"	3.50"	.81"
L-4203-25	1	8.25"	4.25"	2.56"	1.31"	30°	24°	.56"	.59"	3.00"	3.25"	.81"
L-4247-25	1	8.50"	4.00"	2.56"	1.31"	30°	24°	.50"	.59"	3.00"	4.50"	.81"
L-4000-25	1	8.25"	4.25"	2.56"	1.31"	30°	25°	.62"	.19"	2.31"	4.00"	.56"
L-4254-25	1	7.50"	4.50"	2.56"	1.31"	30°	28°	.56"	.50"	2.50"	3.50"	.69"
L-4345-25	1	8.25"	4.25"	2.56"	1.31"	30°	30°	.56"	.62"	3.00"	3.50"	.81"
L-4263-25	1	8.62"	3.88"	2.56"	1.31"	30°	30°	.56"	.12"	3.50"	3.50"	.69"
L-4202-25	1	8.25"	4.25"	2.56"	1.31"	30°	30°	.62"	.44"	2.50"	3.50"	.69"
L-4349-25	1	8.25"	4.25"	2.56"	1.31"	30°	49°	.56"	.25"	2.50"	4.00"	.69"
L-4011-25	1	8.38"	4.12"	2.56"	1.44"	30°	23°	.50"	.19"	3.06"	4.12"	.56"
L-4194-25	1	8.38"	4.12"	2.56"	1.44"	30°	23°	.56"	.19"	3.38"	4.00"	.81"
L-4001-25	1	8.50"	4.00"	2.56"	1.44"	30°	24°	.56"	.25"	2.31"	5.00"	.56"
L-4350-25	1	8.38"	4.12"	2.56"	1.44"	30°	30°	.56"	.19"	2.75"	4.50"	.69"

Typical Dimensional layout



Style "1"



for Wheel Loaders...



for Crawler Loaders...

H&L offers GET products for all Makes and Models.

*Is the registered trademark of the respective Company...

Manufactured under multiple United States and foreign patents!

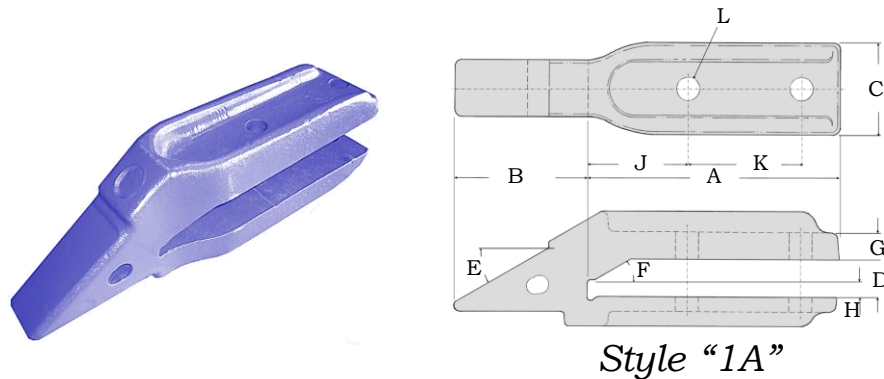
All H&L products WARRANTED against premature breakage!

www.hltooth.com • 1-800 HL TOOTH

Bolt-on 252 Double leg Adapter Products for Backhoes, Crawler Loaders and Wheel-Loader

H&L Part #	Style	A	B	C	D	E	F	G	H	J	K	L
L-4068-25	1A	9.50"	4.25"	3.19"	.94"	30°	30°	1.06"	.25"	4.00"	3.50"	.69"
L-4227-25	1A	9.00"	4.62"	3.19"	1.06"	30°	22°	.94"	.50"	2.75"	4.72"	.81"
L-4353-25	1A	9.00"	4.62"	3.19"	1.06"	30°	23°	.88"	.19"	2.75"	4.50"	.69"
L-3637-A-25	1A	7.75"	4.75"	3.62"	1.06"	30°	23°	.62"	.41"	2.75"	3.75"	.81"
L-3679-A-25	1A	7.75"	4.75"	3.62"	1.06"	30°	23°	.62"	.41"	2.75"	3.75"	1.06"
L-4127-25	1A	10.00"	5.00"	3.38"	1.06"	30°	24°	1.06"	.58"	2.75"	4.88"	1.06"
L-4264-25	1A	9.00"	4.62"	3.19"	1.06"	30°	25°	1.00"	.56"	2.50"	4.72"	.94"
L-4298-25	1A	9.00"	4.62"	3.19"	1.31"	30°	26°	.69"	.19"	3.38"	4.50"	.69"
L-4272-A-25	1A	7.25"	4.62"	3.19"	1.31"	30°	28°	.75"	.50"	2.50"	3.50"	.81"
L-4190-25	1A	9.25"	4.75"	3.19"	1.31"	30°	30°	.75"	.25"	4.50"	4.00"	.69"
L-4354-25	1A	9.00"	4.62"	3.19"	1.31"	30°	30°	.75"	.38"	3.50"	3.00"	.81"
L-4356-25	1A	9.12"	4.62"	3.19"	1.31"	30°	30°	.75"	.44"	2.50"	4.80"	.69"
251-212-05	1A	8.88"	4.62"	3.19"	1.31"	30°	30°	.88"	.44"	3.50"	4.00"	.81"
L-4355-25	1A	9.25"	4.75"	3.19"	1.44"	30°	22°	.69"	.25"	3.50"	4.50"	.81"
L-4034-25	1A	9.00"	4.62"	3.19"	1.44"	30°	24°	.69"	.25"	3.50"	4.50"	.81"
L-4251-25	1A	9.38"	4.12"	3.19"	1.56"	30°	22°	.62"	.19"	4.38"	3.88"	.81"
L-4209-25	1A	10.25"	4.50"	3.38"	1.56"	30°	26°	.75"	.12"	3.94"	5.12"	.81"
L-4250-25	1A	10.38"	4.50"	3.19"	1.56"	30°	30°	.81"	.25"	4.00"	5.00"	.81"
L-4159-25	1A	10.38"	4.62"	3.38"	1.56"	30°	30°	.81"	.25"	4.00"	5.00"	.81"

Typical Dimensional layout



for Wheel Loaders...



H&L offers GET products for all Makes and Models.

for Crawler Loaders...



*Is the registered trademark of the respective Company...



Manufactured under multiple United States and foreign patents!

All H&L products **WARRANTED** against premature breakage!

www.hltooth.com • 1-800 HL TOOTH

Cross Reference of H&L Adapter Products

The H&L 25/252-series tooth-Adapter system has been the OEM choice for over 75-years and are still Made in the USA!

Case Cross Reference

B91258	L-4272A-25
B91273	L-4254-25
B91276	L-3637A-25
B91277	251-115-02
B91279	L-3679A-25
D49940	L-4079-25
D49545	L-4079-25
D129197	2740AEW-25
D140481	2740AEW-25
L43254	2740AW-25
L43255	2740AW-25
L70481	251-115-02
L71292	L-4225-25
L104555	L-4254-25
L117816	L-4272A-25
R35259	L-4203-25
R35260	L-4203-25
R47238	L-4247-25
R51172	L-3637A-25
R54193	L-3679A-25
XY22641	L-4247-25

Deere Cross Reference

21X34721	2740AW-25
AT31884	2740FW-25
AT33512	2740FW-25
U16087	L-2921F-25
U45349	2740FW-25
PML407925	L-4079A-25
PM2740AW25	2740AW-25

Fabco Cross Reference

16L3BW-8-25	2740W-25
20L3BW-8-25	2740AW-25
20L15BW-8-25	2740FW-25
20LBW-8-25EX	2740AEW-25
D49940	L-4079-25
F251-112-15	L-4203-25
F251-112-20	L-4254-25
F3679A-25	L-3679A-25
F4272A-25	L-4272A-25

Eaton Cross Reference

2072034	L-4041-25
2072057	L-4041-25
2091826	L-4356-25
2091827	L-4356-25
2094844	L-4190-25
2094845	L-4190-25
2094851	L4109ALW-25
2094852	L4109ALW-25
2094855	L-4250-25
2094856	L-4250-25
2094858	L-4109AJW-25
2094859	L-4109AJW-25

Clark-Handcock Cross Reference

562666	251-613-00
562669	251-613-00

Fiat Allis Cross Reference

70246487	L-4000-25
70626193	251-115-01
70676352	L-4001-25
70695249	L-4195-25
73014988	251-112-11
73014989	251-112-11
73015946	251-114-02
73015947	251-114-02
73032200	L-4001-25
73022901	251-114-02
73027869	L-4000-25
73027870	L-4000-25
73032666	L-4000-25
73044934	L-4001-25
73044958	L-4001-25
73117369	L-4227-25
73117370	L-4227-25
73117371	L-4190-25
73117372	L-4190-25

Ford Cross Reference

445349	2740FW-25
561476	L-4350-25
564049	L-4350-25
564813	L-4194-25
565012	251-114-04
565013	251-114-04
565072	L-4194-25
7703115	2740AW-25
7703116	2740AW-25
7706610	2740AW-25
D3NN-293C	L-4194-25
D3NN-294C	L-4194-25

Gannon Cross Reference

D10-11	2740FW-25
D10-15	L-4109BPW-25
D10-18	L-4245-25
D10-19	L-4345-25
D10-20	L-4109BRW-25
D10-24	L-4109BSW-25
D10-27	L-4248-25
D10-30	L-4236-25
D10-31	L-4266-25
D-10-32	L-4237-25

Massey-Ferguson Cross Reference

706271M1	2740W-25
722255M91	L-4053-25
722256M1	L-4053-25
722259M91	L-4133-25
722260M1	L-4133-25
726271M1	2740AW-25
981084M95	L-4149-25
1095029M91	3000W-25
1816644M1	L-4133-25

Pettibone Cross Reference

4093-E	3000W-25
--------	----------

Ruston-Bucyrus Cross Reference

1304700-L1	L-4109FW-25
1304919-L1	L-4109SW-25
1601119-L1	L-4109AMW-25

Terex Cross Reference

9003322	L-4054-25
9003323	L-4054-25
9003328	L-4054-25
9003324	L-4053-25
9003325	L-4053-25
9003327	L-4053-25
9061634	L-4213-25
9061636	L-4109BGW-25
9074078	251-213-09
9074079	L-4221-25
9269416	251-213-10
9269417	L-4109AUW-25
9379265	L-4109AYW-25

Please be aware that some Cross Referenced numbers are obsolete and no longer produced.



H&L offers GET products for all Makes and Models.



*Is the registered trademark of the respective Company...

