



Established 1931

©H&L Tooth Company 2020

# Tooth Company

**Weld-on 27 AND 272SP Adapter Products  
for Backhoes, Crawler Loaders and Wheel-Loader**

Forged 272ST Star  
tooth for greater  
penetration!



Manufactured in the  
USA since 1947.



**27 and 272  
Series  
Flexpin  
Connection**



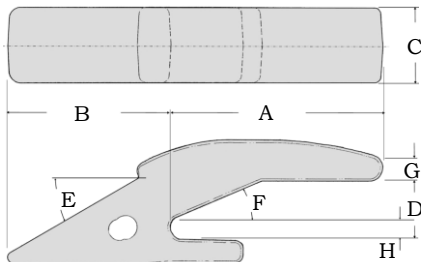
About 1/8" compression  
between the tooth hole and  
the adapter nose hole and  
are reversible.

Duo purpose,  
forged in the  
USA H&L  
272 Series  
digging  
teeth...

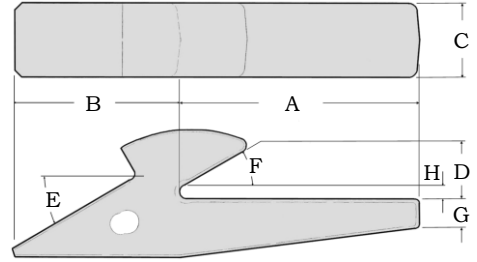
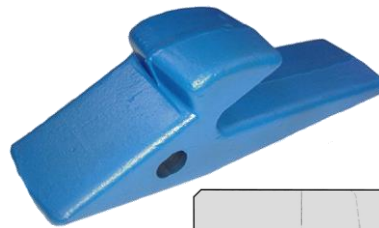


H&L Part #	Style	A	B	C	D	E	F	G	H
3000-W-27	1CW	6.50"	4.12"	2.88"	<b>1.88"</b>	30°	30°	.75"	.38"
2740-AW-27	1W	5.62"	4.12"	2.88"	<b>1.31"</b>	30°	23°	.62"	.56"
2740-FW-27	1W	5.62"	4.12"	2.88"	<b>1.62"</b>	30°	23°	.62"	.56"

## Typical Dimensional layout



Style "1W"



Style "1CW"



**for Backhoes...**



**for Excavators...**

H&L offers GET products for all Makes and Models.

\*Is the registered trademark of the respective Company...

**Manufactured under multiple United States and foreign patents!**

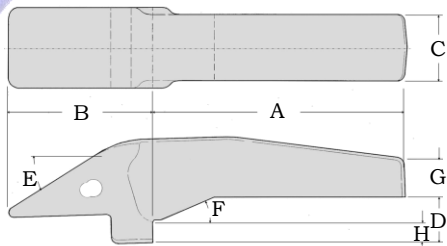
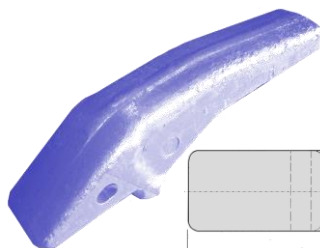
All H&L products WARRANTED against premature breakage!

www.hltooth.com • 1-800 HL TOOTH

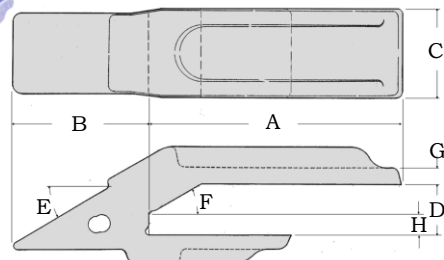
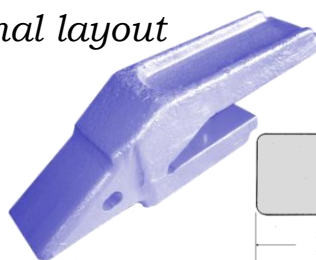
# Weld-on 272 series Adapter Products for Backhoes, Crawler Loaders and Wheel-Loader

H&L Part #	Style	A	B	C	D	E	F	G	H
L-4095-AAW-27	1BW	9.50"	4.50"	2.38"	<b>1.25"</b>	32°	30°	1.50"	.50"
L-4095-LW-27	1BW	8.81"	5.50"	2.38"	<b>1.25"</b>	32°	30°	1.50"	.38"
L-4095-AW-27	1BW	9.12"	5.12"	2.38"	<b>1.50"</b>	32°	23°	1.38"	.56"
L-4095-VW-27	1BW	9.75"	4.62"	2.38"	<b>1.50"</b>	32°	30°	1.38"	.25"
L-4095-AZW-27	1BW	9.70"	4.50"	2.38"	<b>1.50"</b>	32°	32°	1.38"	.56"
L-4095-BHW-27	1BW	9.50"	4.50"	2.38"	<b>1.75"</b>	32°	30°	1.38"	.75"
L-4095-BAW-27	1BW	7.50"	4.62"	2.38"	<b>1.75"</b>	32°	24°	1.38"	.69"
L-4095-AJW-27	1BW	9.62"	4.75"	2.38"	<b>1.88"</b>	32°	25°	1.00"	.44"
L-4095-NW-27	1BW	9.62"	4.75"	2.38"	<b>2.00"</b>	32°	30°	.88"	.50"
L-4095-AVW-27	2BW	9.12"	5.12"	2.38"	<b>2.25"</b>	32°	35°	.62"	.44"
L-4095-ADW-27	1BW	9.70"	4.50"	2.38"	<b>2.38"</b>	32°	25°	.50"	.38"
L-4189-W-27	1W	9.50"	4.50"	3.19"	<b>1.31"</b>	30°	30°	.75"	.25"
L-4021-W-27	1W	9.38"	4.38"	3.19"	<b>1.31"</b>	30°	24°	.75"	.19"
L-4037-W-27	1W	9.50"	4.38"	3.19"	<b>1.31"</b>	30°	23°	.88"	.25"
L-4002-W-27	1W	9.25"	4.50"	3.19"	<b>1.38"</b>	30°	25°	.56"	.12"
L-4020-W-27	1W	9.38"	4.38"	3.19"	<b>1.31"</b>	30°	23°	.75"	.25"
L-4143-W-27	1W	9.50"	4.38"	3.19"	<b>1.31"</b>	30°	23°	.75"	.56"
L-4201-W-27	1W	8.75"	5.12"	3.19"	<b>1.31"</b>	30°	30°	.75"	.56"
L-4034-W-27	1W	9.38"	4.38"	3.19"	<b>1.44"</b>	30°	23°	.75"	.25"
L-4290-W-27	1W	8.44"	5.50"	3.19"	<b>1.56"</b>	30°	23°	.69"	.62"
L-4291-W-27	1W	9.00"	4.88"	3.19"	<b>1.56"</b>	30°	30°	.62"	.69"
L-4039-W-27	1W	9.25"	4.50"	3.19"	<b>1.81"</b>	30°	25°	.50"	.12"
L-4292-W-27	1W	9.00"	4.88"	3.19"	<b>1.81"</b>	30°	23°	.56"	.75"
L-4293-W-27	1W	9.00"	4.88"	3.19"	<b>1.81"</b>	30°	30°	.56"	.75"

*Typical Dimensional layout*



*Style "1BW"*



*Style "1W"*

*for Wheel Loaders...*



*for Crawler Loaders...*



H&L offers GET products for all Makes and Models.

\*Is the registered trademark of the respective Company...

**Manufactured under multiple United States and foreign patents!**

All H&L products **WARRANTED** against premature breakage!

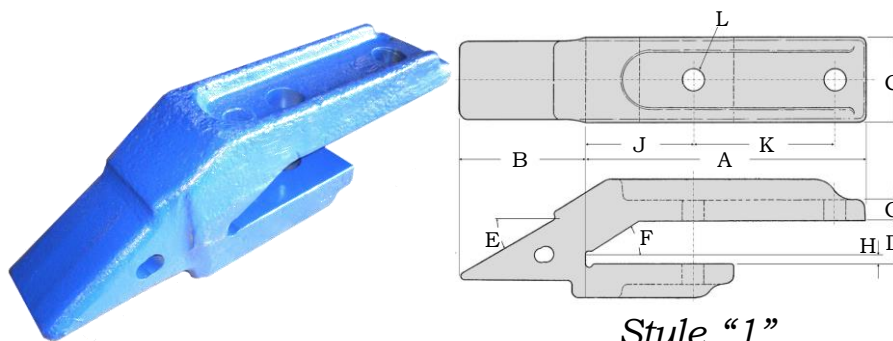
www.hltooth.com • 1-800 HL TOOTH



# Bolt-on 272 Leg and Half Adapter Products for Backhoes, Crawler Loaders and Wheel-Loader

H&L Part #	Style	A	B	C	D	E	F	G	H	J	K	L
L-4051-27	1	9.50"	4.38"	3.19"	1.06"	30°	23°	1.00"	.12"	2.62"	4.00"	.81"
L-4041-27	1	9.50"	4.38"	3.19"	1.06"	30°	23°	1.00"	.19"	2.75"	4.50"	.69"
L-4195-27	1	9.25"	4.50"	3.19"	1.06"	30°	23°	1.00"	.50"	2.75"	4.72"	.81"
L-4133-27	1	8.75"	5.00"	3.19"	1.06"	30°	26°	.94"	.25"	3.19"	3.06"	.81"
L-4052-27	1	8.50"	5.38"	3.19"	1.06"	30°	30°	1.00"	.19"	2.12"	3.62"	.69"
L-4215-27	1	9.38"	4.38"	3.19"	1.10"	30°	23°	1.00"	.62"	3.00"	4.69"	1.06"
271-112-07	1	9.50"	4.38"	3.19"	1.18"	30°	30°	.75"	.44"	3.00"	3.50"	.94"
L-4203-27	1	9.50"	4.38"	3.19"	1.31"	30°	23°	.81"	.50"	3.00"	4.25"	.81"
271-112-06	1	9.00"	4.88"	3.19"	1.31"	30°	23°	.75"	.59"	3.00"	4.50"	.81"
L-4225-27	1	9.25"	4.50"	3.19"	1.31"	30°	23°	.75"	.50"	3.00"	4.50"	1.06"
L-4021-27	1	9.00"	4.88"	3.19"	1.31"	30°	23°	.75"	.19"	4.12"	4.25"	.81"
L-4282-27	1	9.50"	4.38"	3.19"	1.31"	30°	30°	.81"	.25"	4.50"	4.00"	.69"
L-4228-27	1	9.00"	4.88"	3.19"	1.31"	30°	32°	.88"	.44"	2.88"	4.75"	1.06"
271-112-04	1	8.88"	4.50"	3.19"	1.31"	30°	30°	.88"	.44"	3.00"	3.69"	.94"
L-4001-27	1	9.00"	4.88"	3.19"	1.44"	30°	23°	.75"	.25"	2.31"	5.00"	.56"
L-4194-27	1	9.50"	4.38"	3.19"	1.44"	30°	23°	.75"	.19"	3.38"	4.00"	.81"
L-4034-27	1	9.38"	4.38"	3.19"	1.44"	30°	23°	.75"	.25"	3.50"	4.50"	.81"
L-4017-27	1	9.50"	4.38"	3.19"	1.44"	30°	23°	.69"	.25"	3.69"	4.75"	.94"
L-4155-27	1	9.50"	3.19"	3.19"	1.44"	30°	23°	.75"	.19"	4.00"	4.00"	.81"
271-114-01	1	9.38"	4.25"	3.19"	1.56"	30°	23°	.75"	.69"	3.50"	5.00"	.94"
L-4118-27	1	9.00"	4.88"	3.19"	1.56"	30°	33°	.81"	.31"	3.69"	4.00"	.81"
L-4117-27	1	9.00"	4.88"	3.19"	1.56"	30°	30°	.69"	.56"	3.00"	4.25"	.81"
L-4163-27	1	10.38"	4.50"	3.38"	1.56"	30°	32°	.75"	.31"	4.00"	5.25"	.81"
271-115-02	1	9.50"	4.38"	3.19"	1.69"	30°	23°	.62"	.31"	3.50"	4.75"	.94"
L-4208-27	1	9.25"	4.50"	3.19"	2.06"	30°	25°	.50"	.56"	4.00"	3.75"	.94"
271-120-00	1	9.00"	4.88"	3.19"	2.06"	30°	30°	.44"	.56"	3.00"	4.25"	.81"

Typical Dimensional layout



for Wheel Loaders...



for Crawler Loaders...

H&L offers GET products for all Makes and Models.

\*Is the registered trademark of the respective Company...

**Manufactured under multiple United States and foreign patents!**

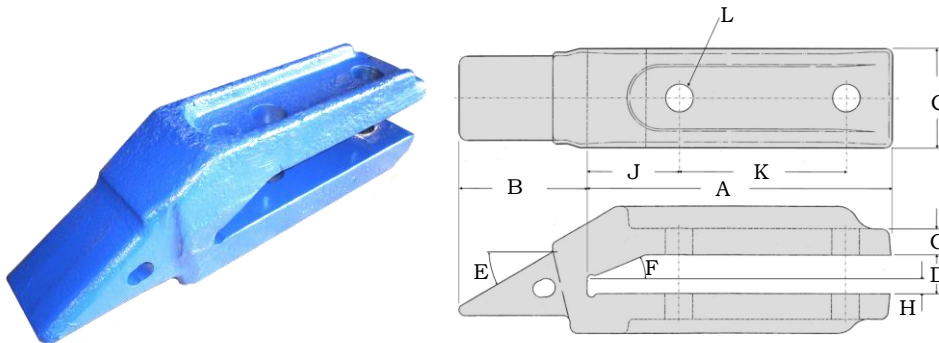
All H&L products WARRANTED against premature breakage!

www.hltooth.com • 1-800 HL TOOTH

# Bolt-on 272 Double leg Adapter Products for Backhoes, Crawler Loaders and Wheel-Loader

H&L Part #	Style	A	B	C	D	E	F	G	H	J	K	L
L-4127-27	1A	10.00"	4.88"	3.38"	<b>1.06"</b>	30°	24°	1.00"	.56"	2.75"	4.88"	1.06"
L-4197-27	1A	10.38"	4.50"	3.38"	<b>1.26"</b>	30°	22°	.95"	.50"	3.16"	5.72"	.94"
271-212-05	1A	9.00"	4.88"	3.38"	<b>1.31"</b>	30°	23°	.88"	.44"	3.25"	4.50"	1.06"
L-3638A-27	1A	9.00"	5.00"	3.50"	<b>1.31"</b>	30°	23°	.62"	.44"	3.25"	4.50"	1.06"
L-4283-27	1A	10.38"	4.50"	3.38"	<b>1.31"</b>	30°	23°	.69"	.44"	3.28"	5.00"	.81"
L-4020-27	1A	10.38"	4.50"	3.38"	<b>1.31"</b>	30°	23°	.88"	.25"	4.25"	5.00"	.94"
L-4002-27	1A	10.50"	4.38"	3.38"	<b>1.38"</b>	30°	25°	.88"	.12"	4.31"	5.25"	.69"
L-4123-27	1A	9.75"	5.25"	3.38"	<b>1.56"</b>	30°	23°	.88"	.69"	3.50"	5.00"	.94"
L-4186-27	1A	10.38"	4.50"	3.38"	<b>1.56"</b>	30°	23°	.75"	.19"	4.12"	5.12"	.81"
L-4060-27	1A	10.12"	4.88"	3.38"	<b>1.56"</b>	30°	25°	.75"	.12"	3.88"	5.00"	.81"
L-4065-27	1A	10.25"	4.50"	3.38"	<b>1.56"</b>	30°	30°	.88"	.38"	4.12"	5.12"	.81"
L-4159A-27	1A	10.38"	4.50"	3.38"	<b>1.56"</b>	30°	30°	.75"	.25"	4.00"	5.00"	.81"
L-4222-27	1A	10.25"	4.50"	3.38"	<b>1.59"</b>	30°	21°	.75"	.25"	4.38"	3.85"	.81"
L-4016-27	1A	10.50"	4.25"	3.38"	<b>1.69"</b>	30°	23°	.50"	.19"	4.25"	5.25"	.94"
L-4039-27	1A	10.50"	4.00"	3.38"	<b>1.81"</b>	30°	25°	.50"	.12"	4.25"	5.00"	.81"
271-216-03	1A	10.12"	4.88"	3.38"	<b>1.81"</b>	30°	26°	.62"	.12"	4.12"	5.00"	.81"
L-4199-27	1A	10.00"	4.62"	3.38"	<b>1.81"</b>	30°	30°	.56"	.19"	3.50"	5.00"	.81"
271-216-00	1A	10.38"	4.50"	3.38"	<b>1.81"</b>	30°	30°	.62"	.31"	4.12"	5.00"	.94"
L-4071-27	1A	10.25"	4.50"	3.38"	<b>1.81"</b>	30°	31°	.62"	.31"	4.12"	5.00"	.81"
L-4284-27	1A	10.25"	4.50"	3.38"	<b>1.94"</b>	30°	25°	.50"	.50"	3.50"	5.00"	.94"

Typical Dimensional layout



Style "1A"

for Wheel Loaders...



H&L offers GET products for all Makes and Models.

for Crawler Loaders...



\*Is the registered trademark of the respective Company...



**Manufactured under multiple United States and foreign patents!**

All H&L products WARRANTED against premature breakage!

www.hltooth.com • 1-800 HL TOOTH



# Cross Reference of H&L Adapter Products

The H&L 27/272-series tooth-Adapter system has been the OEM choice for over 75-years and are still Made in the USA!

## Case Cross Reference

B91260	L-3638B-27
B91261	L-3638A-27
R29110	L-4203-27
R29115	L-4203-27
R51174	L-3638A-27
R51175	L-3638B-27

## Deere Cross Reference

21X31572	2740FW-27
21X36802	L-4357-27
21X61769	271-112-05
21X87335	2740FW-27
22X96840	271-112-05
24X58026	2740FW-27
AT51197	L-4357-27
T53014	L-4357-27

## Eaton Cross Reference

2033914	L-1700-27
2033915	L-1700-27
2038807	271-216-04
2039978	271-216-04
2040019	L-1868B-27
2075589	L-4039-27
2075590	L-4039-27
2091233	L-1700-27
2091239	L-4095VW-27
2091240	L-4095VW-27
2091704	L-4282-27
2091705	L-4282-27
2091707	271-312-00
2091708	271-312-00
2094861	L-4095VW-27
2094862	L-4095AVW-27
2098283	L-4095AVW-27
2098294	L-4095AVW-27
2104585	L-4095NW-27
2106675	L-4095AVW-27
2107117	L-4095AVW-27

## Clark-Handcock Cross Reference

562670	L-3171-27
1504273	271-216-06
1527731	L-2747-27
2511143	L-3522-27
2511144	L-3522-27

## Fiat Allis Cross Reference

70647819	L-4016-27
70647823	L-4016-27
70666982	L-4016-27
70667643	L-4017-27
70679282	L-4017-27
70695250	L-4197-27
72075589	L-4039-27
73115410	L-4016-27
73115409	L-4017-27
73117173	L-3382B-27
73117182	L-3382B-27
73117371	L-4197-27
73117372	L-4197-27
73130174	L-3382D-27
73130175	L-3382D-27

## Gannon Cross Reference

D10-16	2740FW-27
--------	-----------

## P&H Cross Reference

12U52	2802W-27
12U56	2802AW-27
12U69	2802BW-27
12N357	2802AW-27

## Wood/Hesston Cross Reference

7755-0014	3000W-27
-----------	----------

## International-Harvester Cross Reference

206294 H1	L-4211-27
605010 C1	L-2716C-27
925476 C1	L-4095ADW-27
1108018 C2	L-3572-27

## Massey-Ferguson Cross Reference

722238 M91	L-4110-27
722239 M1	L-4110-27
728363 M91	L-3523-27
1497521 M91	L-4060-27
2740329 M1	271-110-01
2815340 M1	271-110-01

## Terex Cross Reference

9011691	L-4123-27
9011692	L-4095AW-27
9026666	L-4095AW-27
9026667	L-4095AW-27
9026669	L-4123-27
9073153	L-4218-27
9073479	L-4095BAW-27
9243980	L-2819W-27
9243981	L-2819-27
9243982	L-2819W-27
9243985	L-4284-27
9267589	L-4283-27

**Please be aware that some Cross Referenced numbers are obsolete and no longer produced.**



H&L offers GET products for all Makes and Models.



\*Is the registered trademark of the respective Company...

**Manufactured under multiple United States and foreign patents!**

All H&L products WARRANTED against premature breakage!

www.hltooth.com • 1-800 HL TOOTH