

H&L "Cobra Line" CX-220 Series Teeth fit all field OEM Style 220 Adapters.

H&L offers a variety of 220 series bolt-on and weld-on adapters!



CX-220SP Sharp Penetration
6.4#



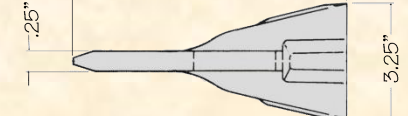
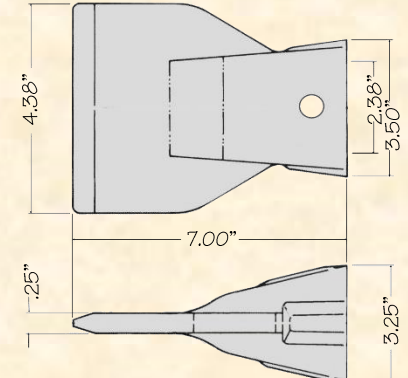
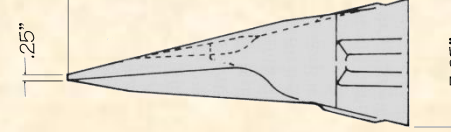
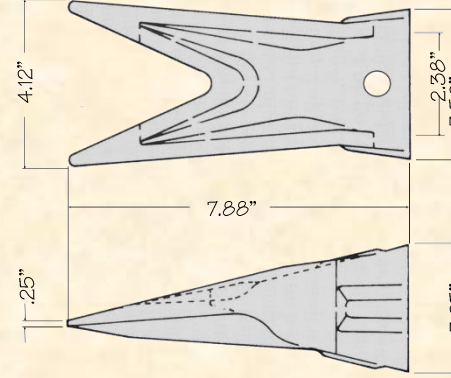
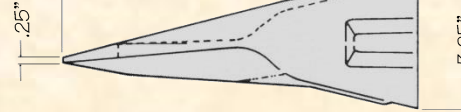
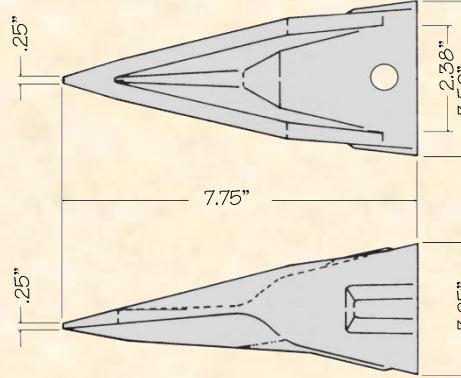
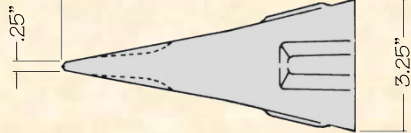
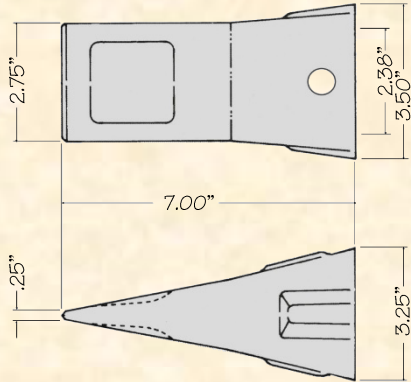
CX-220T Single Tiger
6.2#



CX-220WT Twin Tiger
8.8#



CX-220F Flared Tooth
7.3#



ORIGINAL PRODUCT

H&L[®] TOOTH COMPANY

Factory in Tulsa, Oklahoma

"Cobra Line" Hensley Style TEETH design

CX-220 Series

Uses "Cobra Line" Spiral Pin C-160PN

H&L Tooth Company History since 1931:

H&L CX-220 series Value-Cast "Cobra Line" teeth meets or exceeds the OEM standards. All Value-Cast teeth are covered under H&L's standard warranty. H&L part numbers are CX-220SP, CX-220T, CX-220WT and CX-220F.

Other part number references; X220, T220, X220WT, X220F

H&L is an ISO CERTIFIED Company.

T299.2020



© H&L Tooth Company 2020