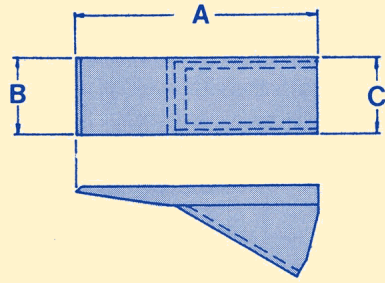


# Fabricated Teeth

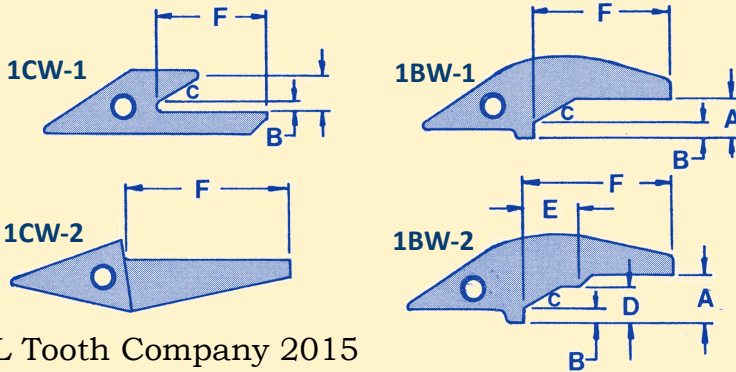
*0, 00, 2AH, 3CH Series*



## Fabricated Teeth

Case Number	H&L Number	Tooth Styles	A	B	C
H34546	0SP	Sharp	2.56"	1.12"	1.12"
ZJZ00	00SP	Sharp	3.36"	1.44"	1.44"
T41166	2AH	Heavy	4.12"	1.62"	1.62"
D27748 D58593	3CH	Heavy	5.00"	2.25"	2.25"
ZJZ3CW	3CHW	Flared	5.00"	4.50"	2.25"

## *0, 00, 2AH, 3CH Series Adapters*



© H&L Tooth Company 2015

Case Number	H&L Number	Styles	A	B	C	D	E	F
D127918	L-2520-BW-2A	1BW-1	0.81"	0.19"	22	-	-	3.75"
	D-838-0	1CW-2	-	-	-	-	-	2.25"
H36657	D-862-2A	1CW-2	-	-	-	-	-	4.00"
	2898-W-00	1CW-1	0.50"	0.19"	20	-	-	3.00"
H61283 7704801	D-835-2A	1CW-1	1.00"	0.38"	30	-	-	4.06"
D26368 7704802	D-834-3C	1CW-1	1.00"	0.38"	30	-	-	4.09"
T41165	L-2520-W-2A	1BW-2	0.69"	0.12"	22	0.50"	1.50"	3.75"

