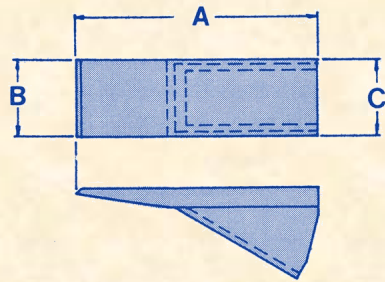


Fabricated Teeth and Adapters

0, 00, 2AH, 3CH Series



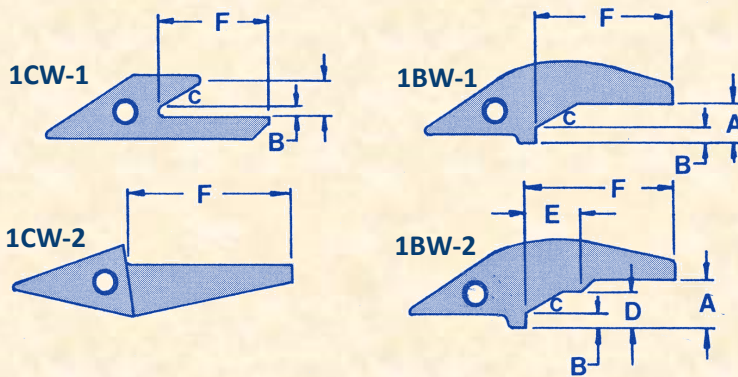
© H&L Tooth Company 2015



Fabricated Teeth

Deere Number	H&L Number	Tooth Styles	A	B	C
	OSP	Sharp	2.56"	1.12"	1.12"
	00SP	Sharp	3.36"	1.44"	1.44"
U10577	2AH	Heavy	4.12"	1.62"	1.62"
U14437	3CH	Heavy	5.00"	2.25"	2.25"
T72537	3CHW	Flared	5.00"	4.50"	2.25"

0, 00, 2AH, 3CH Series Adapters



Deere Number	H&L Number	Styles	A	B	C	D	E	F
U10580	D-835-2A	1CW-1	1.00"	0.38"	30	-	-	4.06"
	D-834-Y-3C	1CW-1	1.00"	0.38"	23	-	-	4.09"
U14436	D-834-3C	1CW-1	1.00"	0.38"	30	-	-	4.09"
	D-838-0	1CW-2	-	-	-	-	-	2.25"
	D-862-2A	1CW-2	-	-	-	-	-	4.00"
	2898-W-00	1CW-1	0.50"	0.19"	20	-	-	3.00"
T716X2A	L-2520-BW-2A	1BW-1	0.81"	0.19"	22	-	-	3.75"

