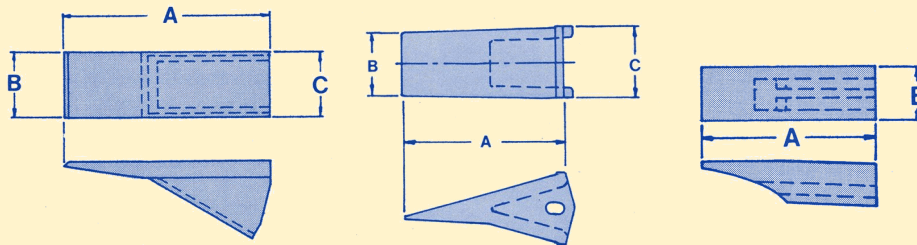




Scarifier and Ripper Series

Fabricated and Forged Teeth

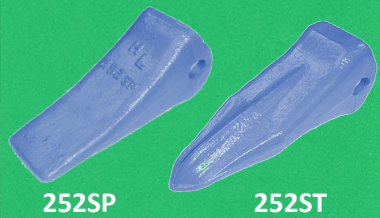
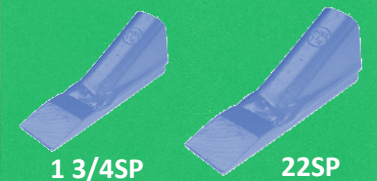


Fabricated Style

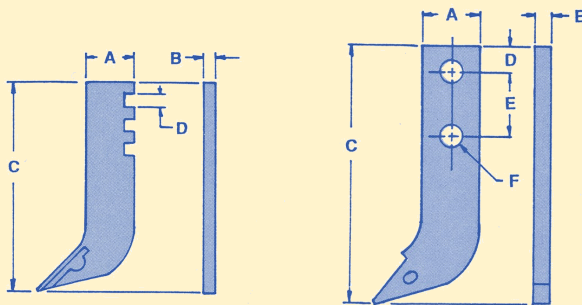
Forged Style

Slip on Style

Deere Number	H&L Number	Tooth Styles	A	B	C
	1 3/4SP	Sharp	5.19"	1.25"	1.25"
U41916	1LSP	Sharp	6.00"	1.56"	1.56"
T240	240SP	Sharp	7.25"	2.20"	2.20"
PMS240	240ST	Star	7.62"	0.19"	2.20"
T72583	252SP	Sharp	7.88"	2.75"	2.75"
T72581	252ST	Star	8.38"	0.38"	2.75"
T114793	HL-6Y-5230	Sharp	7.18"	1.81"	-



Scarifiers and Small Rippers



Scarifier Style

Small Ripper Style



Scarifier Style



Small Ripper Style

Deere Number	H&L Number	Styles	A	B	C	D	E	F	G
T44319	G-996-A-25*	Ripper	5.00"	2.00"	28.75"	-	2.50"	9.00"	2.03"
T114792	G-877-B-1L	Scarifier	3.00"	1.00"	19.10"	0.75"	-	-	-
	G-163-HW-3/4	Scarifier	2.50"	0.75"	15.50"	0.53"	0.53"	2.50"	-
	G-163-CD-3/4	Scarifier	2.50"	0.75"	15.50"	0.50"	0.53"	2.50"	3.00"
	HL-5-0940	Scarifier	3.00"	1.00"	17.75"	0.93"	0.67"	1.58"	1.58"

*G-996-A-26 Scarifier is obsolete and replaced with the G-996-A-25 Scarifier (252 is NOT Interchangeable with 26 Series).