

# 500 SERIES FORGED WHISLER STYLE MINING BASES

## Whisler 8 SIZE

BASE NUMBER	TOOTH SERIES	PIN	INSERT	KEY AND CLAMP	WEAR CAP	WEIGHT	Kilograms
508-46	546 SERIES	546PN	546HL	K-508 SERIES	N/C	500.0#	235.0kgs
508-TWC-46	546 SERIES	546PN	546HL	K-508 SERIES	500-8	475.0#	224.0kgs
508-46	646 SERIES	646PN8F		K-508 SERIES	N/C	500.0#	235.0kgs
508-TWC-46	646 SERIES	646PN8F		K-508 SERIES	500-8	475.0#	224.0kgs

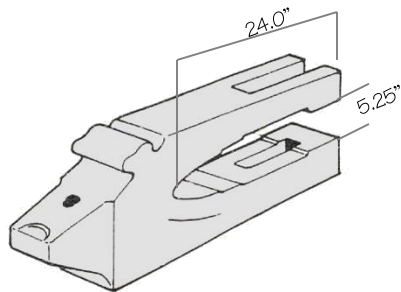
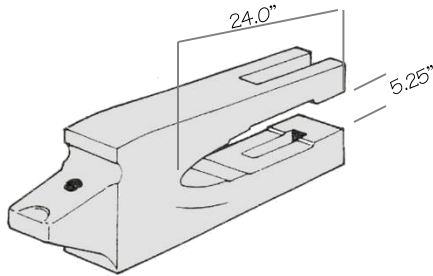
## Whisler 10 SIZE

BASE NUMBER	TOOTH SERIES	PIN	INSERT	KEY AND CLAMP	WEAR CAP	WEIGHT	Kilograms
510-46	543 SERIES	543PN	543HL	K-510 SERIES	N/C	855.0#	392.0kgs
510-TWC-46	543 SERIES	543PN	543HL	K-510 SERIES	500-10/12	840.0#	381.0kgs
510-46	646 SERIES	646PN8F		K-510 SERIES	N/C	855.0#	392.0kgs
510-TWC-46	646 SERIES	646PN8F		K-510 SERIES	500-10/12	840.0#	381.0kgs

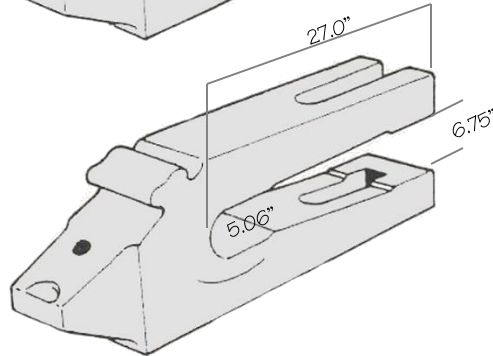
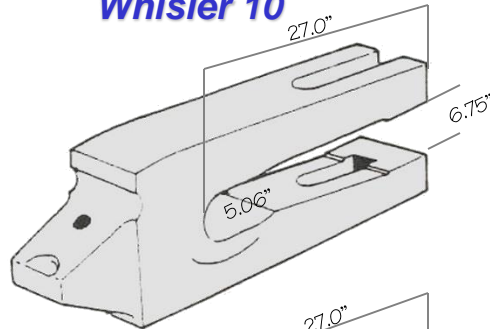
## Whisler 12 SIZE

BASE NUMBER	TOOTH SERIES	PIN	INSERT	KEY AND CLAMP	WEAR CAP	WEIGHT	Kilograms
512-E-46	546 SERIES	546PN	546HL	K-512 SERIES	N/C	855.0#	397.0kgs
512-TWC-46	546 SERIES	546PN	546HL	K-512 SERIES	500-10/12	840.0#	390.0kgs
512-E-46	646 SERIES	646PN8F		K-512 SERIES	N/C	855.0#	397.0kgs
512-TWC-46	646 SERIES	646PN8F		K-512 SERIES	500-10/12	840.0#	390.0kgs

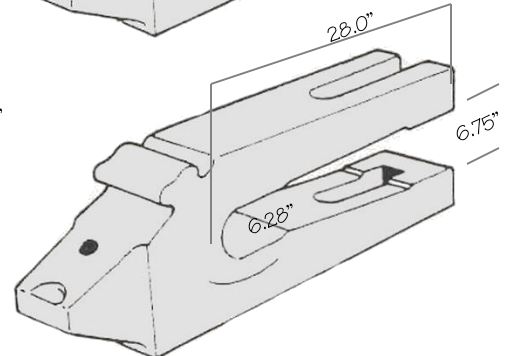
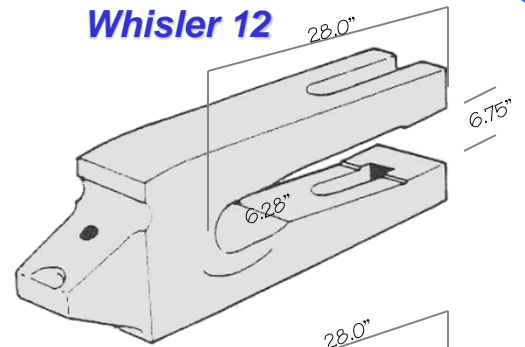
### Whisler 8



### Whisler 10



### Whisler 12



© H&L Tooth Company 2015

## 546 SERIES FLEHOL® PIN AND INSERT

FLANGE DESIGN guarantees proper Insert location through installation!

Solid, round pinning system, constructed from Chrom-Moly HARDENED steels!

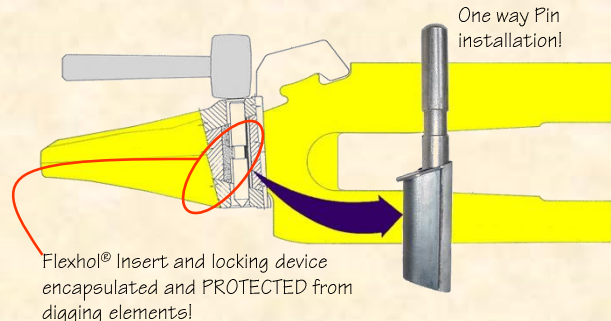
Locking groove guarantees POSITIVE LOCKING POWER!

Shock absorbing elastomer, EPDM 80 Shore hardness!



Flexhol® Inserts use shock dampening ELASTOMER with aircraft quality alloy steel tube and mechanical locks for STRENGTH!

### FLEXHOL® MECHANICAL LOCK SECTION



Flexhol® Insert and locking device encapsulated and PROTECTED from digging elements!

SERIES	FLEXHOL	HEAVY DUTY	SEVERE DUTY
546	PIN	546PN	546PNOB
546	INSERT	546HL	546HLOB