

PRODUCT RELEASE

H&L TOOTH COMPANY

A complete line of
495HR SERIES MINING HARDWARE

K-1349 C-Clamp

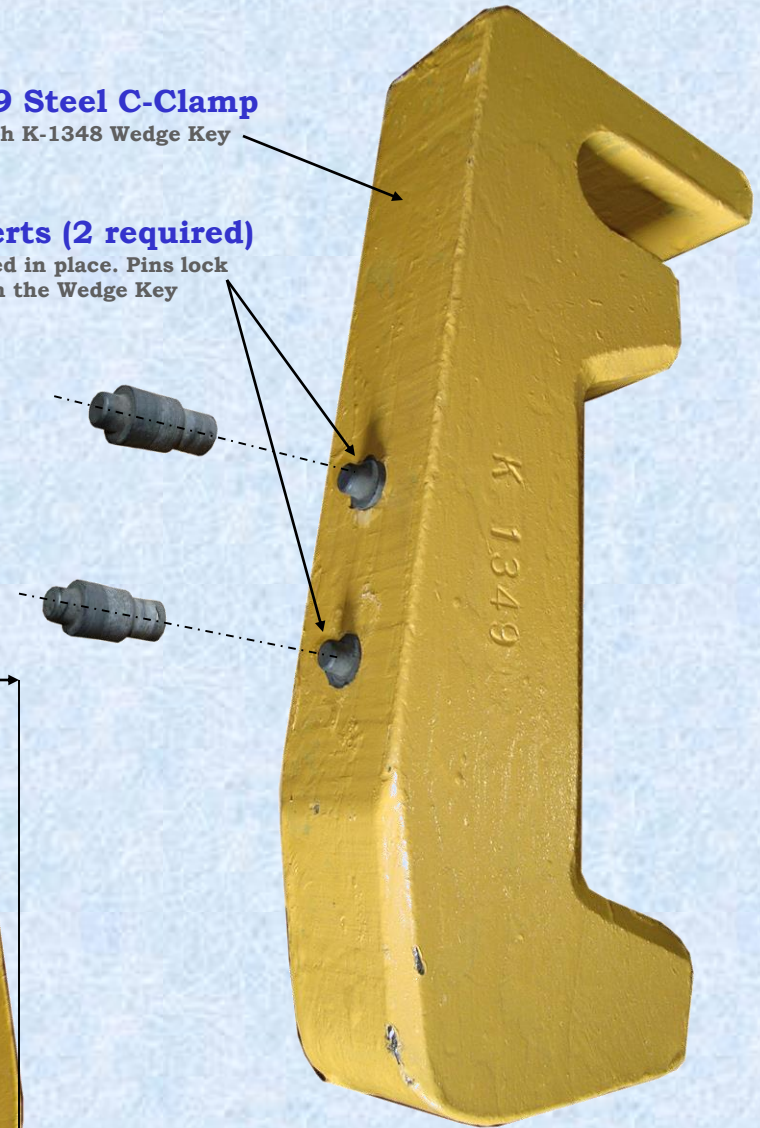
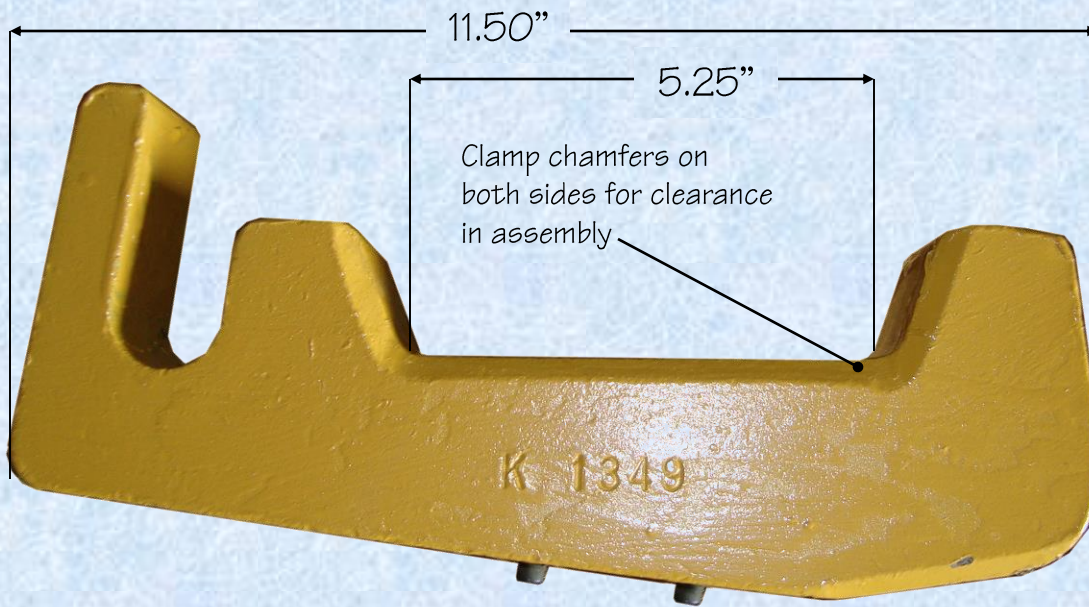
Use on LX-4950-12 Center Shroud System
16.0# / 7.3kgs

K-1349 Steel C-Clamp

Use with K-1348 Wedge Key

3 SLP Snaploc Inserts (2 required)

Use two Snaploc Pins glued in place. Pins lock into serrated edges in the Wedge Key



M060.2010

