

H&L's 272SP Teeth are produced from Chrom-Moly-Nickel aircraft quality grade alloy steels to enhance tooth **DURABILITY** and long **LASTING SHARPNESS!**

T114.2015

QUALITY
since 1931

© H&L Tooth Company 2015



444-514BHN
HARDNESS!

ORIGINAL PRODUCT

H&L® TOOTH COMPANY

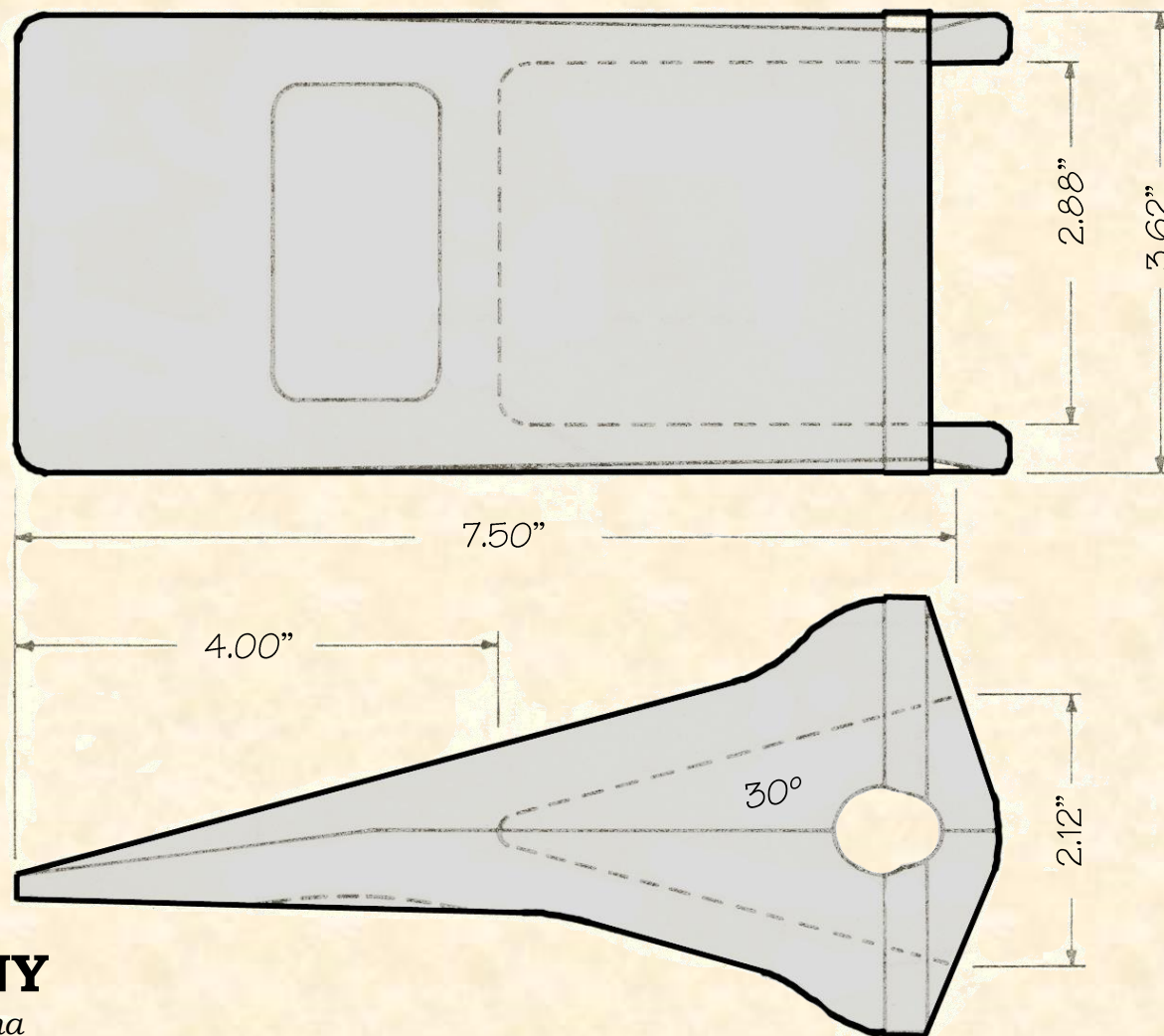
Factory Direct Made in Tulsa, Oklahoma

The "OEM" Uniforged Penetrating tooth design

272SP

Sharp Penetration Tooth

8.5#/3.91kgs.



H&L Tooth Company History since 1931:

This medium sized digging tooth was first designed and introduced in 1970.

H&L's Sharp Penetration Tooth was developed and forged at the Hi-Pro Forge Plant, a Division of the H&L Tooth Company in Montebello, California. The Forged 272SP Tooth was originally designed as an upgrade to the fabricated 27 Series tooth from the early 1960s.