



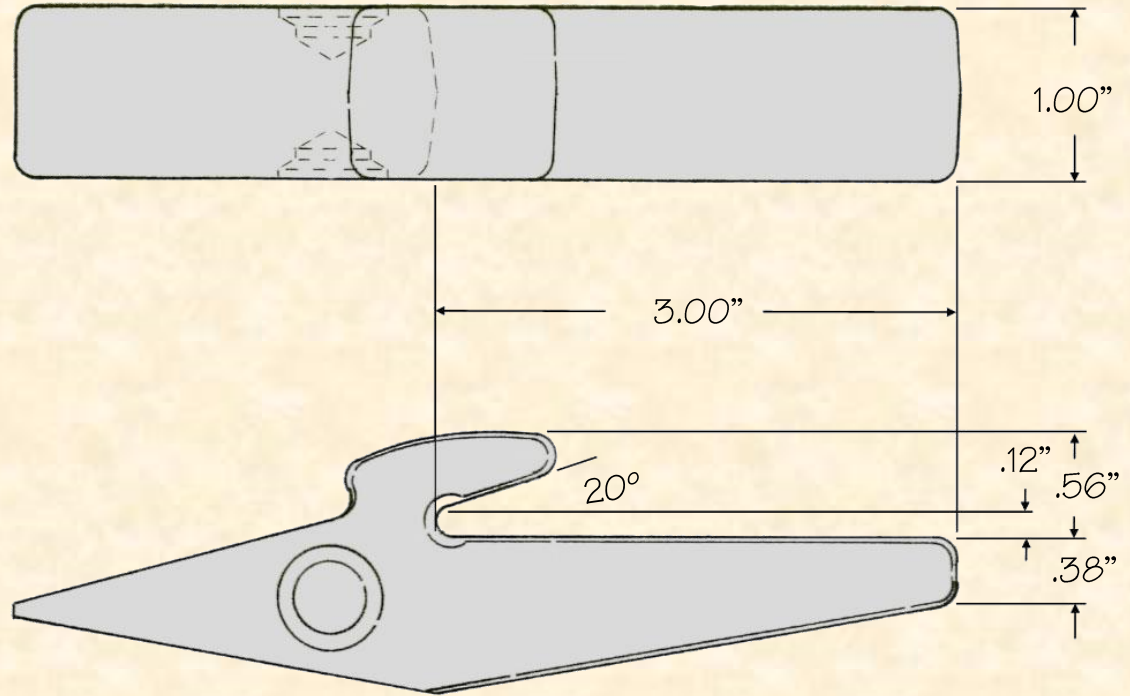
H&L's 2898-W-00 Adapters are produced from aircraft quality Chrom-Moly grade alloy steels to enhance tooth **DURABILITY** and long **LASTING SHARPNESS!**

© H&L Tooth Company 2015

**388-415BHN
HARDNESS!**



Uses the 00SP Sharp Penetration Crimp-on tooth (see T122.2015)



ORIGINAL PRODUCT

H&L® TOOTH COMPANY

Factory Direct Made in Tulsa, Oklahoma

The "OEM" Crimp-on ADAPTER design

2898-W-00

Mini-Excavator or Trencher Adapter

0.5#/0.231kgs.

H&L Tooth Company History since 1931:

This small bottom strap weld-on adapter was first designed and introduced as an OEM product in 1967.

H&L's 2898-W-00 weld-on adapter was first developed to fit Long's Manufacturing "Baby Backhoe".

Today, H&L continues to produce the "Original" 2898-W-00 adapter and tooth system.