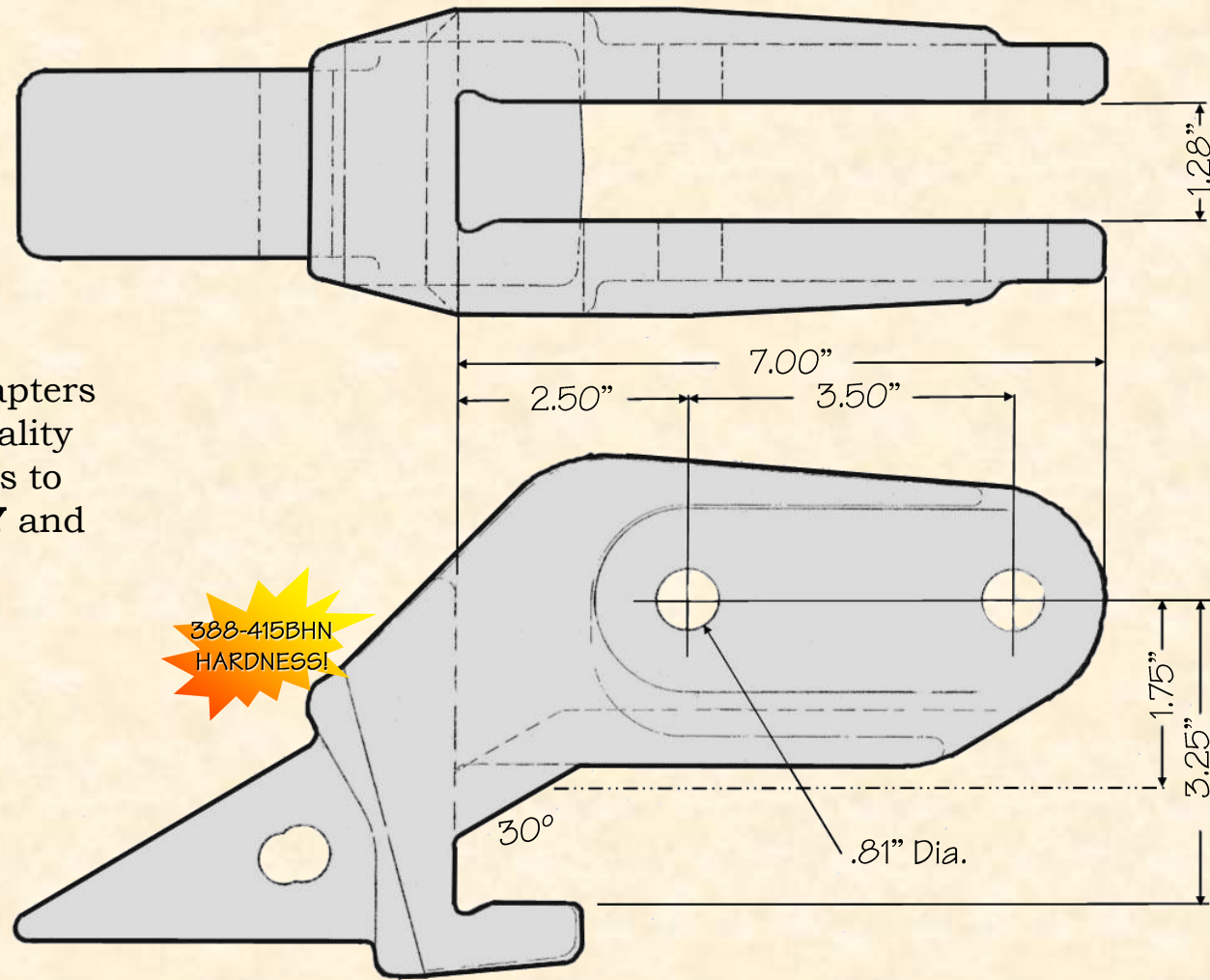


T137.2015



© H&L Tooth Company 2015

H&L's L-3623-B-25 Corner Adapters are produced from aircraft quality Chrom-Moly grade alloy steels to enhance adapter **DURABILITY** and **TOUGHNESS!**



ORIGINAL PRODUCT

H&L® TOOTH COMPANY

Factory Direct Made in Tulsa, Oklahoma

The "OEM" Flexpin Style CORNER ADAPTER design

L-3623-B-25

Loader Corner Adapter
16.0#/7.261kgs.

H&L Tooth Company History since 1931:

This Corner double strap bolt-on adapter was first designed and introduced by H&L Tooth as a J.I. Case OEM product in 1981.

H&L's L-3623-B-25 bolt-on corner adapter (Case #L124971 and B91270) was developed for the Model W-30 Case Wheel Loader.

Today, H&L continues to produce the "Original" L-3623-B-25 adapter and 252-Series tooth system.