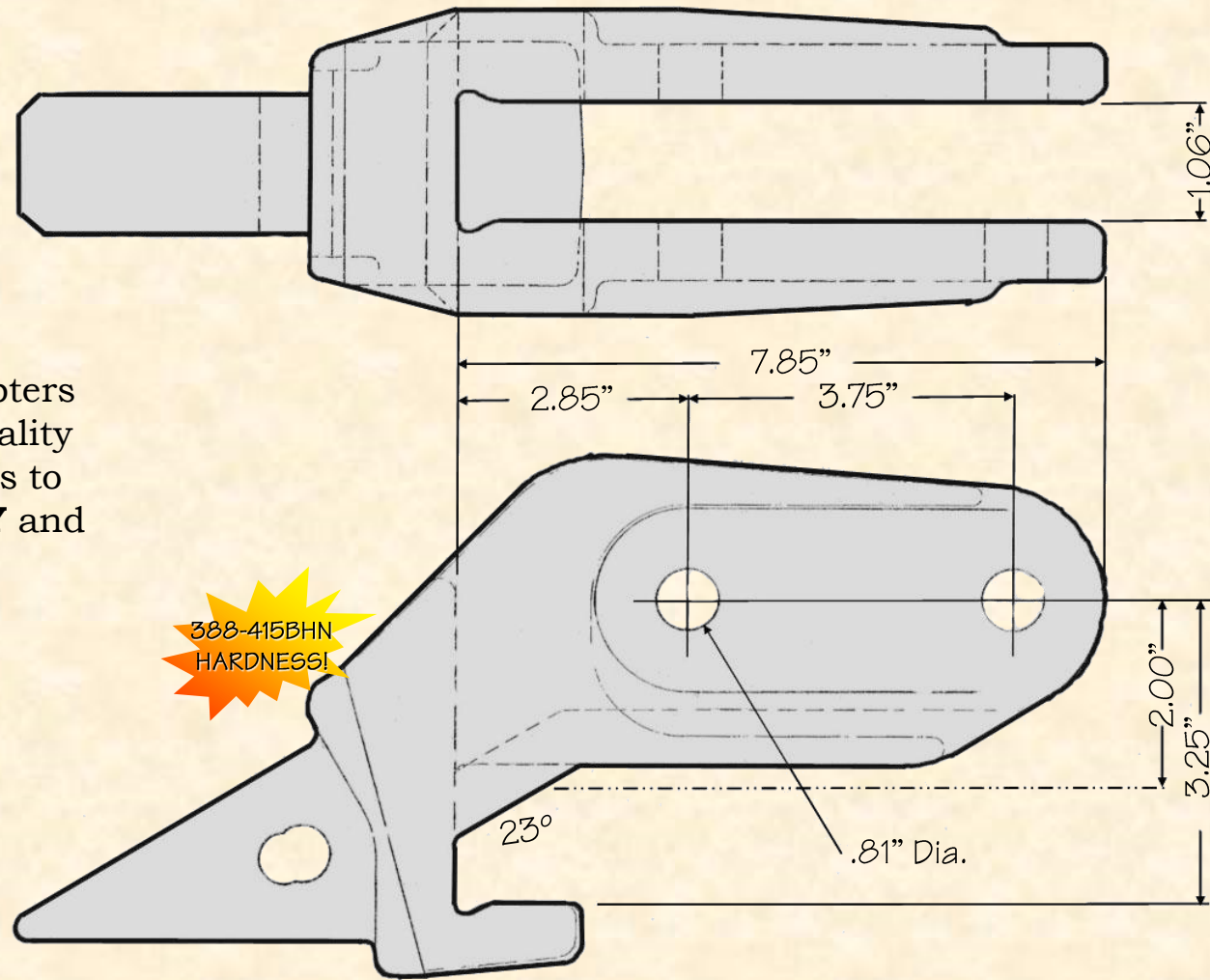


T138.2015



© H&L Tooth Company 2015

H&L's L-3637-24 Corner Adapters are produced from aircraft quality Chrom-Moly grade alloy steels to enhance adapter **DURABILITY** and **TOUGHNESS!**



ORIGINAL PRODUCT

H&L® TOOTH COMPANY

Factory Direct Made in Tulsa, Oklahoma

The "OEM" Flexpin Style CORNER ADAPTER design

L-3637-24

Loader Corner Adapter
14.0#/6.351kgs.

H&L Tooth Company History since 1931:

This Corner double strap bolt-on adapter was first designed and introduced by H&L Tooth as a J.I. Case OEM product in 1983.

*H&L's L-3637-24 bolt-on corner adapter (Case **replacement** for #R51173 and B91275) was developed for light duty Model 1150 Case Crawler.*

Today, H&L continues to produce the "Original" L-3637-24 adapter and 240-Series tooth system.