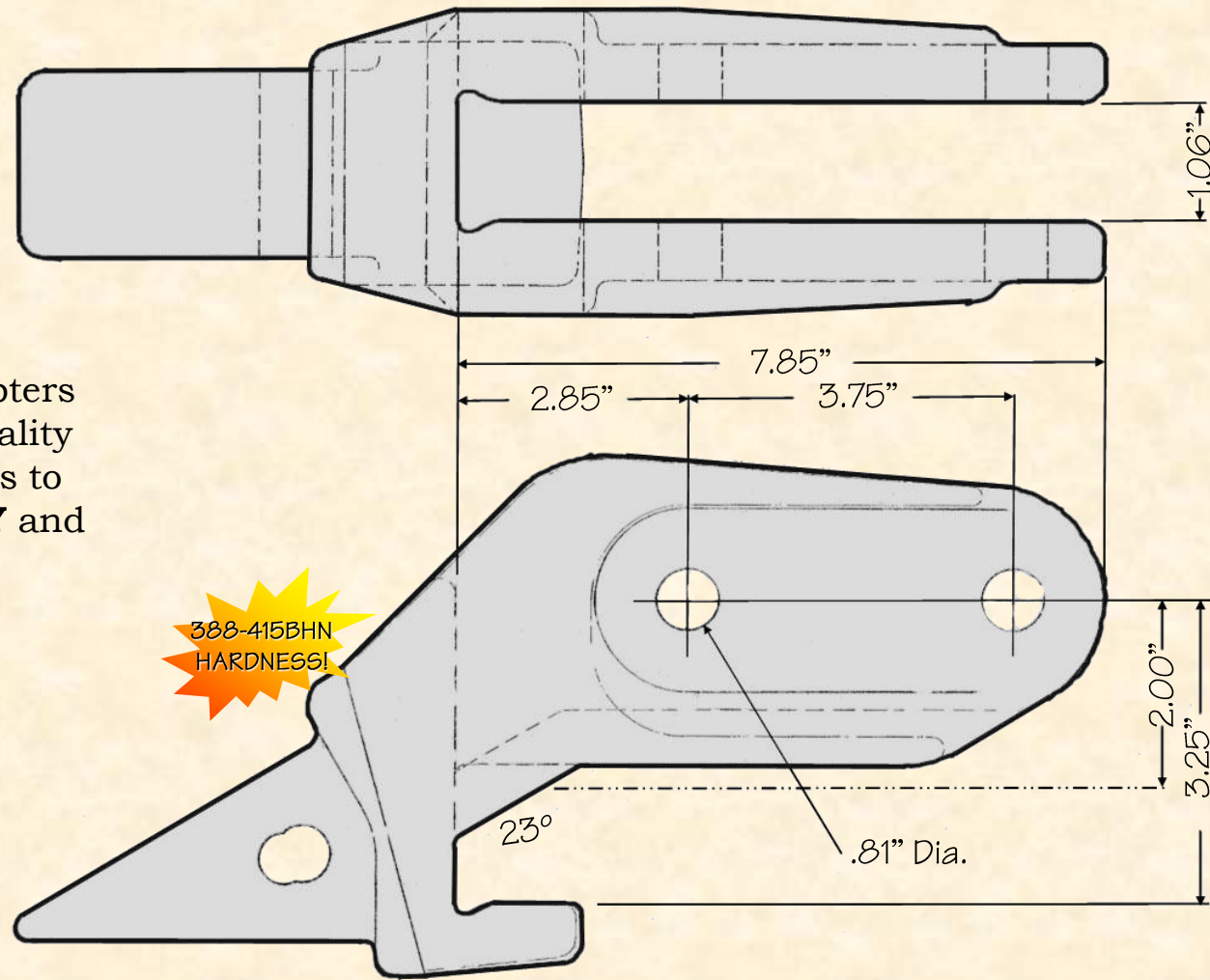


T139.2015



© H&L Tooth Company 2015

H&L's L-3637-25 Corner Adapters are produced from aircraft quality Chrom-Moly grade alloy steels to enhance adapter **DURABILITY** and **TOUGHNESS!**



ORIGINAL PRODUCT

H&L[®] TOOTH COMPANY

Factory Direct Made in Tulsa, Oklahoma

The "OEM" Flexpin Style CORNER ADAPTER design

L-3637-25

Loader Corner Adapter
20.0#/19.071kgs.

H&L Tooth Company History since 1931:

This Corner double strap bolt-on adapter was first designed and introduced by H&L Tooth as a J.I. Case OEM product in 1983.

H&L's L-3637-25 bolt-on corner adapter (Case #R51173 and B91275) was developed for the Model 1150 Case Crawler.

Today, H&L continues to produce the "Original" L-3637-25 adapter and 252-Series tooth system.