

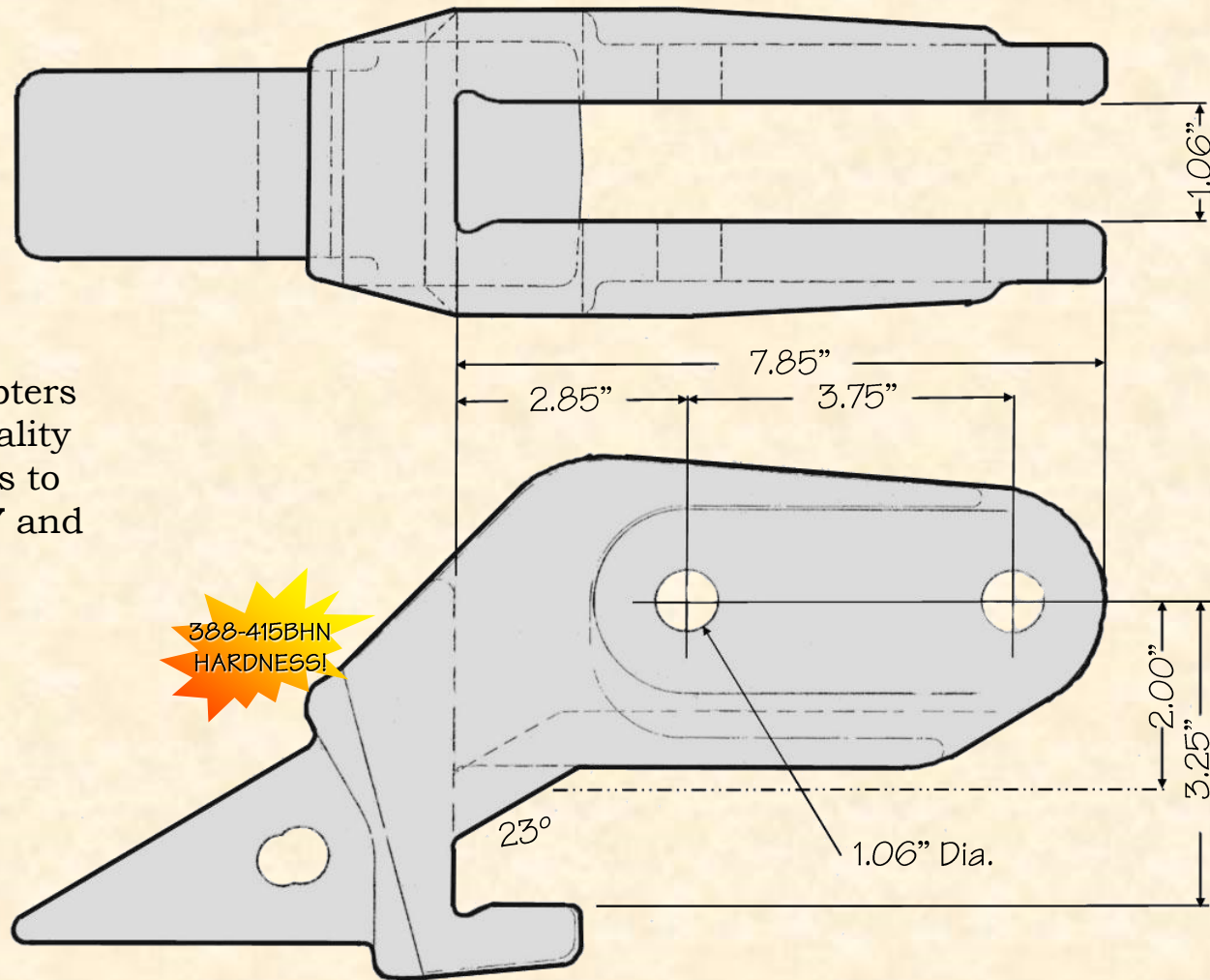
T141.2015

QUALITY
since 1931

© H&L Tooth Company 2015

H&L's L-3679-25 **Corner** Adapters are produced from aircraft quality Chrom-Moly grade alloy steels to enhance adapter **DURABILITY** and **TOUGHNESS!**

388-415BHN
HARDNESS!



ORIGINAL PRODUCT

H&L® TOOTH COMPANY

Factory Direct Made in Tulsa, Oklahoma

The "OEM" Flexpin Style CORNER ADAPTER design

L-3679-25

Loader Corner Adapter

20.0#/19.071kgs.

H&L Tooth Company History since 1931:

This Corner double strap bolt-on adapter was first designed and introduced by H&L Tooth as a J.I. Case OEM product in 1985.

H&L's L-3679-25 bolt-on corner adapter (Case #R54194 and B91269) was developed for the Models 1150E and 1155E Case Crawler.

Today, H&L continues to produce the "Original" L-3679-25 adapter and 252-Series tooth system.