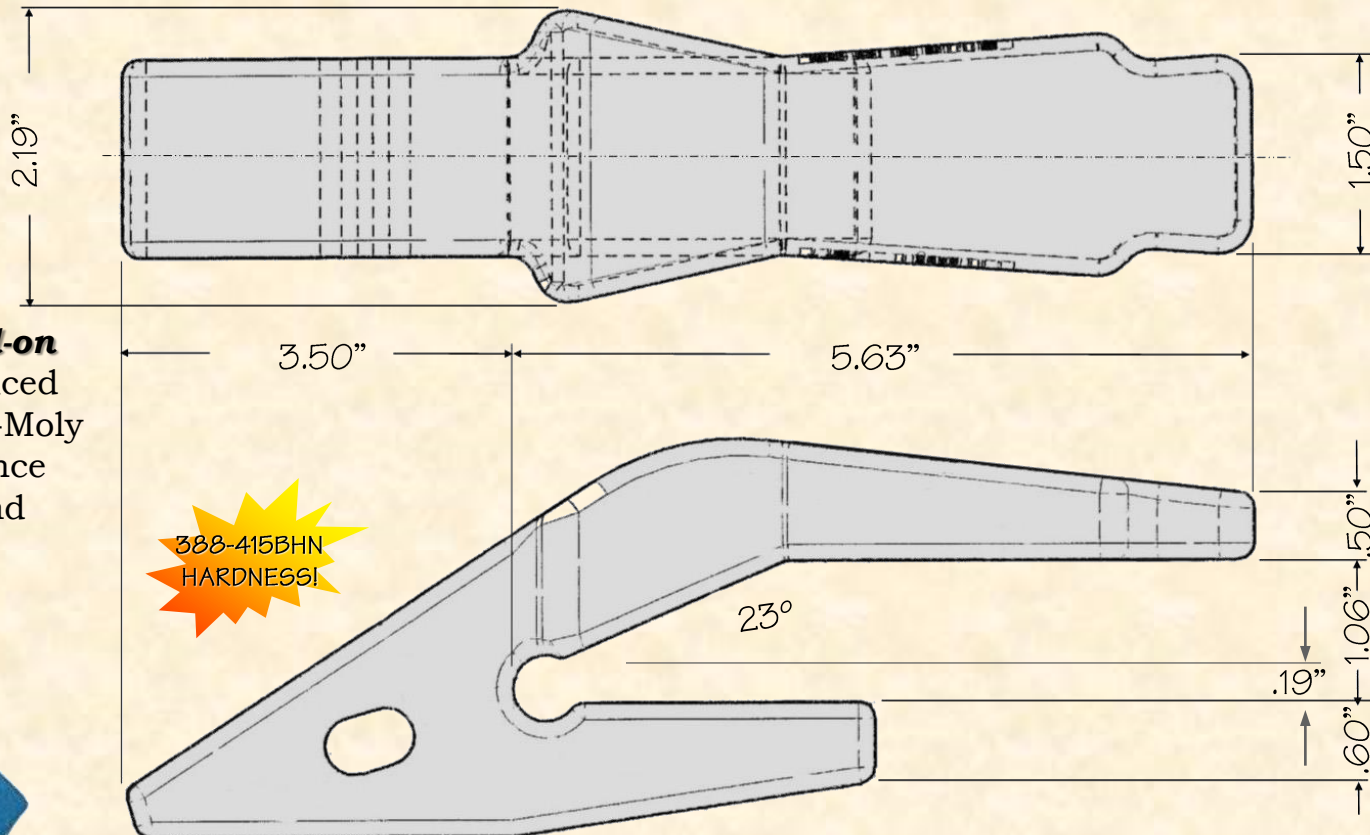


T168.2016



© H&L Tooth Company 2016



H&L's 2740-AFW-23 **Weld-on** Corner Adapters are produced from aircraft quality Chrom-Moly grade alloy steels to enhance adapter **DURABILITY** and **TOUGHNESS!**



ORIGINAL PRODUCT

# H&L® TOOTH COMPANY

Factory Direct Made in Tulsa, Oklahoma

The "OEM" Flexpin Style  
WELD-ON CORNER ADAPTER design

## 2740-AFW-23

Excavator Weld-on Adapter  
4.8#/2.18kgs.

*H&L Tooth Company History since 1931:*

*This Excavator/Backhoe weld-on CORNER adapter was first designed and introduced by H&L Tooth for J. I. Case in 1983.*

*H&L's 2740-AFW-23 weld-on CORNER adapter (J. I. Case #D138157 and D136811) was developed for Loader/Backhoes as a bucket corner installation. Also used as OEM 135-8235 for aftermarket machines by Cat.*

*Today, H&L continues to produce the "Original" 2740-AFW-23 adapter and 230-Series tooth system.*