

T176.2016

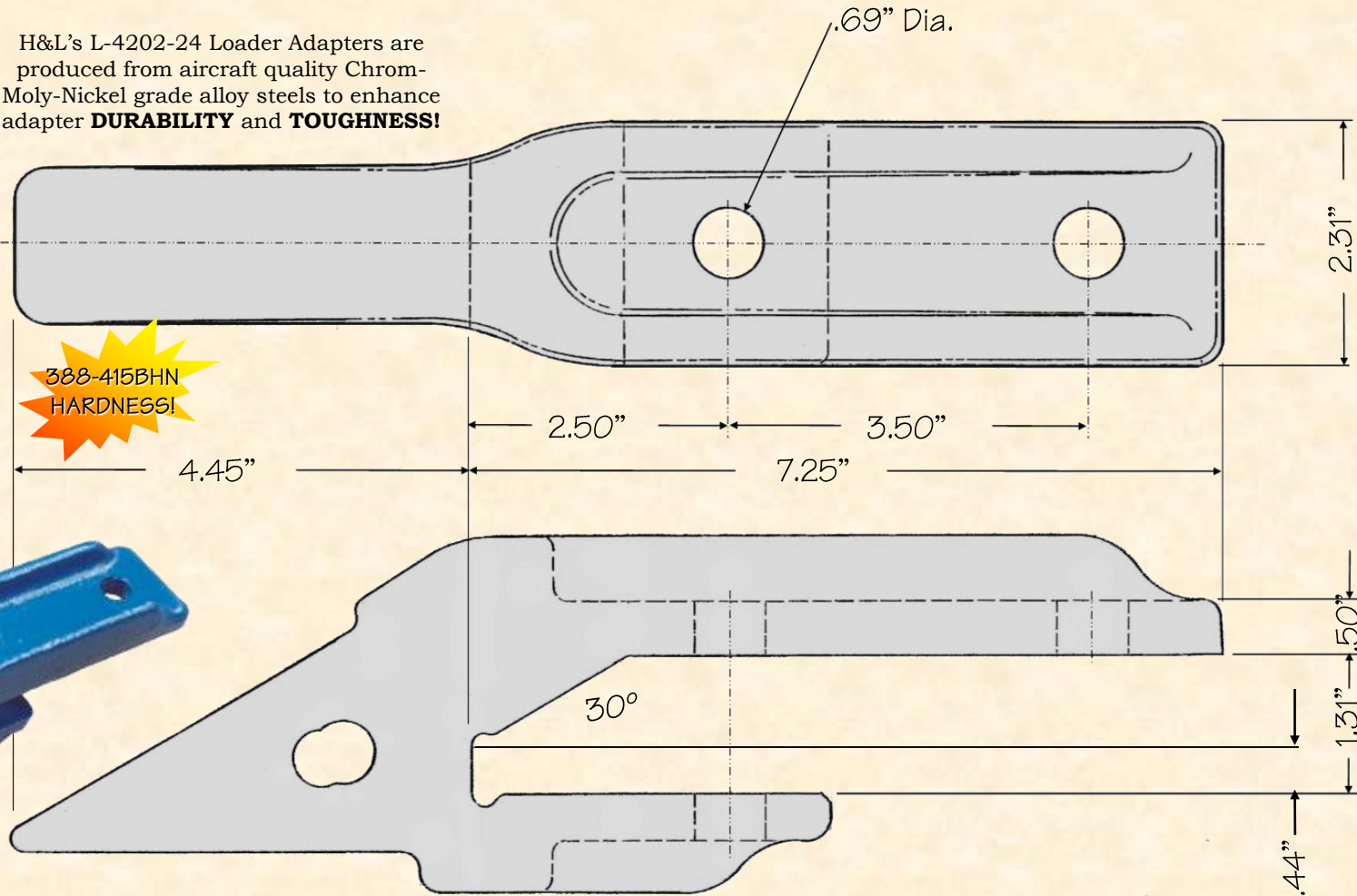
QUALITY
since 1931

H&L's L-4202-24 Loader Adapters are produced from aircraft quality Chrom-Moly-Nickel grade alloy steels to enhance adapter **DURABILITY** and **TOUGHNESS!**

© H&L Tooth Company 2016

H&L's produced the 240-112-06 as OEM for J. I. Case. This same adapter is now being produced as part number L-4202-24, they are identical.

**388-415BHN
HARDNESS!**



ORIGINAL PRODUCT

H&L® TOOTH COMPANY

Factory Direct Made in Tulsa, Oklahoma

The "OEM" Flexpin Style **LOADER ADAPTER** design

L-4202-24

Loader Adapter
8.5#/3.85kgs.

H&L Tooth Company History since 1931:

The 240-112-06 Leg and a half bolt-on loader adapter was first designed and introduced by H&L Tooth as a J. I. Case OEM #L58824 in 1973.

Today, H&L continues to produce the "Original" L-4202-24 adapter and 240-Series tooth system.