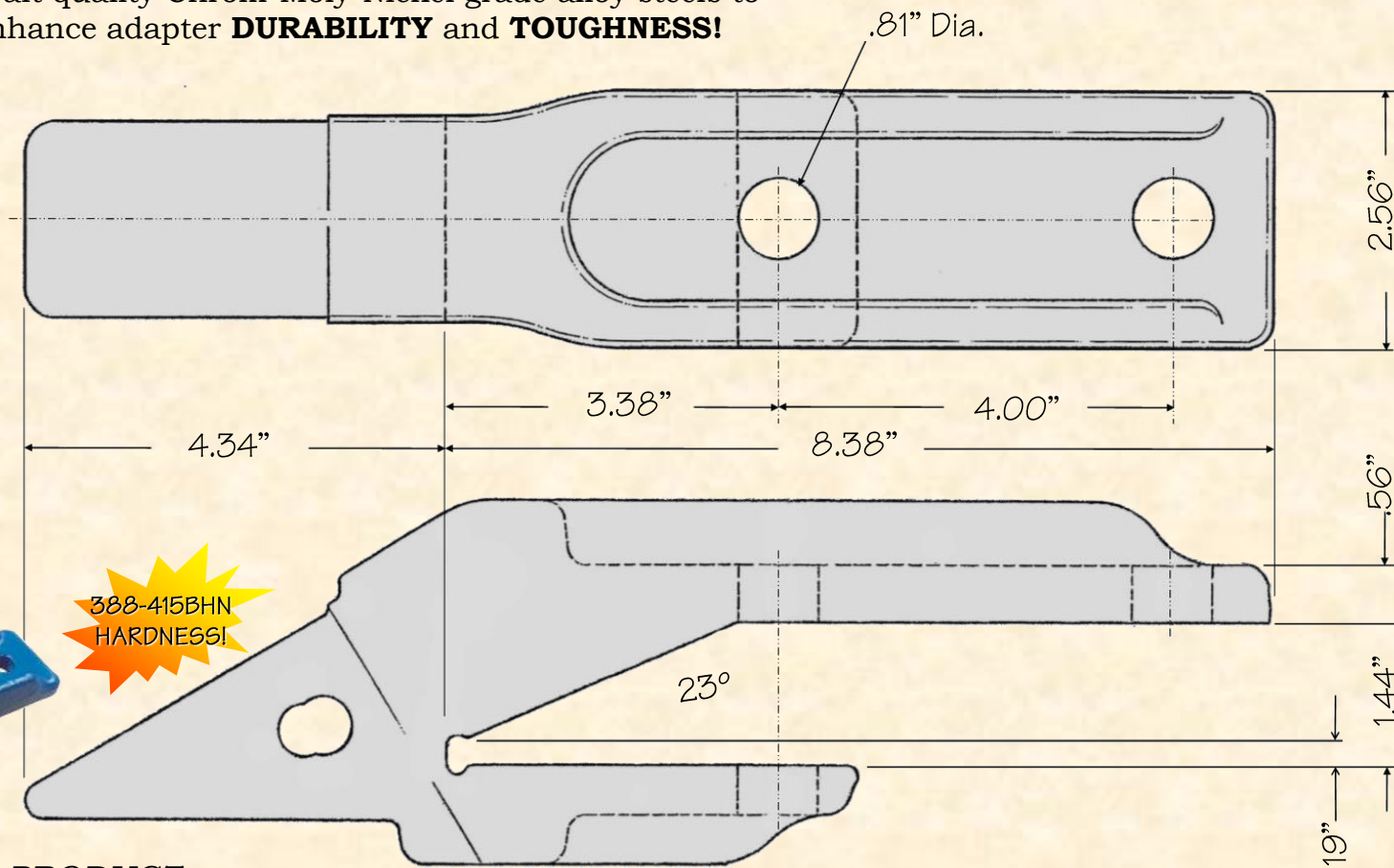


T184.2016

QUALITY
since 1931

© H&L Tooth Company 2016

H&L's L-4194-25 Loader Adapters are produced from aircraft quality Chrom-Moly-Nickel grade alloy steels to enhance adapter **DURABILITY** and **TOUGHNESS!**



H&L's produced the 251-113-17 as OEM for the Ford Motor Company. This same adapter is now being produced as part number L-4194-25, they are identical.



ORIGINAL PRODUCT

H&L® TOOTH COMPANY

Factory Direct Made in Tulsa, Oklahoma

The "OEM" Flexpin Style LOADER ADAPTER design

L-4194-25

Loader Adapter
10.0#/4.54kgs.

*H&L Tooth Company History since 1931:
The 251-113-17 Leg and one half bolt-on loader adapter was first designed and introduced by H&L Tooth for OEM Ford Model A-62 in 1975.
The OEM adapter part number is Ford D-3NN-293-C with an assembly number of D-3NN-293-C292.
Today, H&L continues to produce the "Original" L-4194-25 adapter and 252-Series tooth system.*