

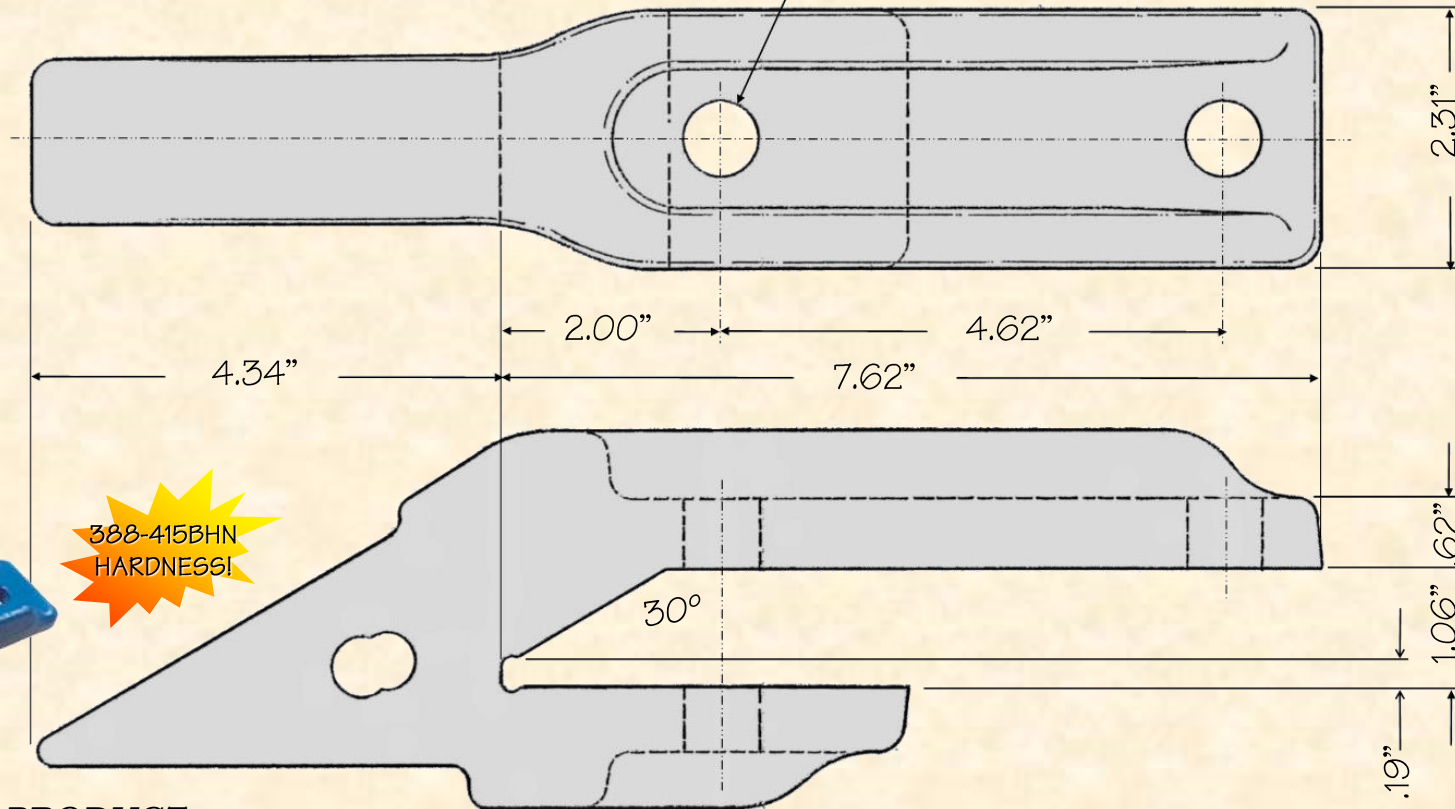
T186.2016



© H&L Tooth Company 2016

H&L's L-4191-24 Loader Adapters are produced from aircraft quality Chrom-Moly-Nickel grade alloy steels to enhance adapter **DURABILITY** and **TOUGHNESS!**

.69" Dia.



H&L's produced the 240-110-10 as OEM for the Ford Motor Company. This same adapter is now being produced as part number L-4191-24, they are identical.



ORIGINAL PRODUCT

H&L® TOOTH COMPANY

Factory Direct Made in Tulsa, Oklahoma

The "OEM" Flexpin Style LOADER ADAPTER design

L-4191-24

Loader Adapter
9.0#/4.08kgs.

H&L Tooth Company History since 1931:

The 240-110-10 Leg and one half bolt-on loader adapter was first designed and introduced by H&L Tooth for OEM Ford Model A-64 in 1975.

The OEM adapter part number is Ford D-3NN-294-B with an assembly number of D-3NN-294-B292.

Today, H&L continues to produce the "Original" L-4191-24 adapter and 240-Series tooth system.