

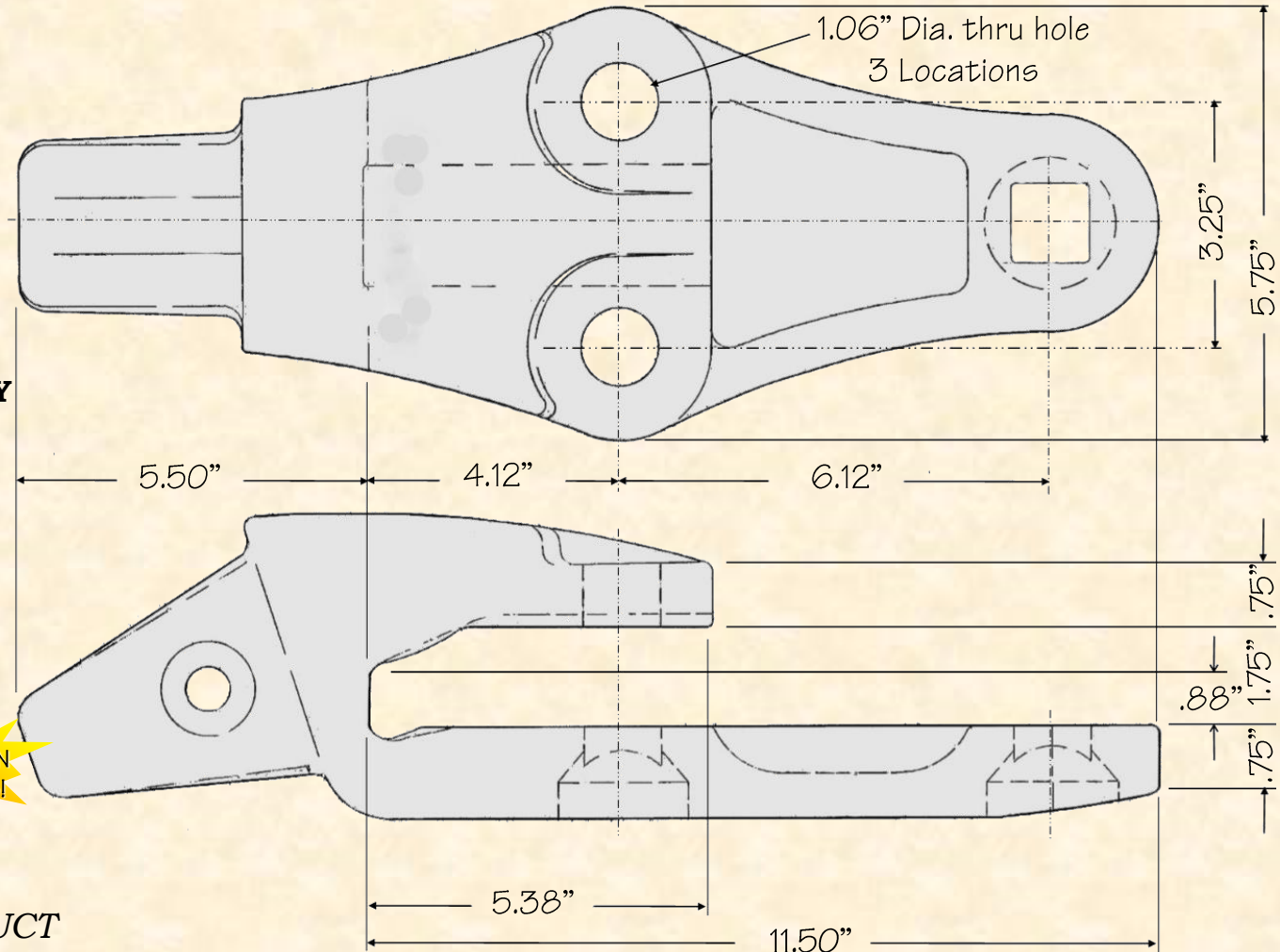
T234.2016



**QUALITY**  
since 1931

© H&L Tooth Company 2016

H&L's HL-8J-5357 Cat Style Adapters are produced from aircraft quality Chrom-Moly-Nickel grade alloy steels to enhance adapter **DURABILITY** and **TOUGHNESS!**



**388-415BHN  
HARDNESS!**

ORIGINAL PRODUCT

**H&L® TOOTH COMPANY**

Factory Direct Made in Tulsa, Oklahoma

"CAT" Pin and Retainer Style ADAPTER design

**HL-8J-5357**

Loader Adapter  
35.5#/16.10kgs.

OUT OF PRODUCTION  
**21**  
REMAIN IN STOCK

H&L Tooth Company History since 1931:

The HL-8J-5357 was first designed and introduced in 1974. It is interchangeable with Caterpillar 8J-5357 and fits a Caterpillar Loader Model 980, 980B and 980C.