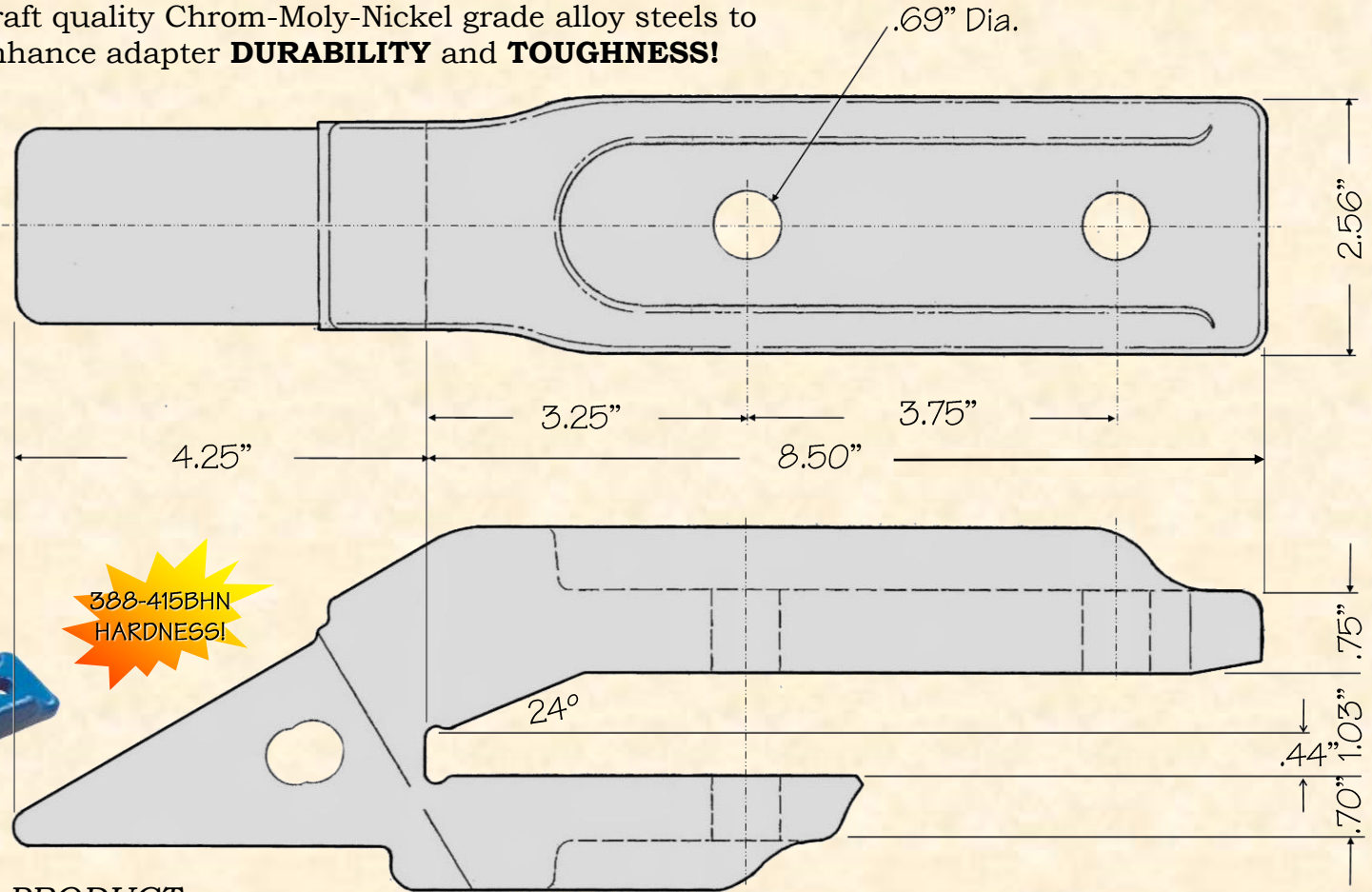


T259.2016

**QUALITY**  
since 1931

© H&L Tooth Company 2016

H&L's L-4079-25 Loader Adapters are produced from aircraft quality Chrom-Moly-Nickel grade alloy steels to enhance adapter **DURABILITY** and **TOUGHNESS!**



H&L's produced the **251-110-06** as OEM for the J. I. Case Company. This same adapter is now being produced as part number **L-4079-25**, they are identical.



ORIGINAL PRODUCT

**H&L® TOOTH COMPANY**

Factory Direct Made in Tulsa, Oklahoma

The "OEM" Flexpin Style **LOADER ADAPTER** design

**L-4079-25**

Loader Adapter  
10.0#/4.54kgs.

*H&L Tooth Company History since 1931:*

*The **251-110-06** Leg and one half bolt-on loader adapter was first designed and introduced by H&L Tooth for OEM J. I. Case in 1969. Adapter fits J. I. Case Models 850, 1150B, 1150C, 1150D and 1155D.*

*The OEM adapter part number is Case #D49940 with an assembly number of D49545. Uses Case tooth #L55468 (252SP) and L32090 (25-26FP) Flexpin.*

*Today, H&L continues to produce the "Original" **L-4079-25** adapter and 252-Series tooth system.*