

T267.2017

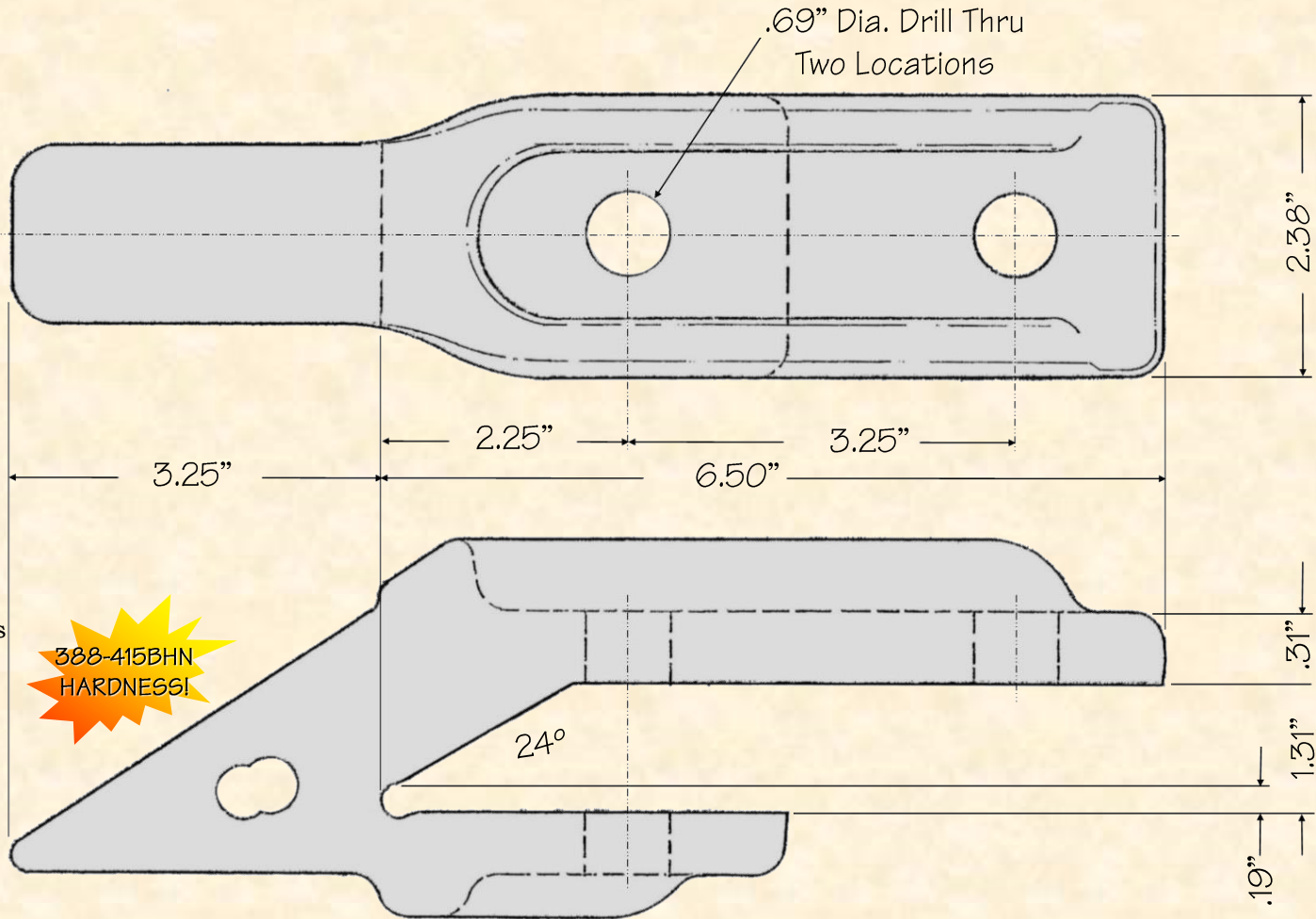
**QUALITY**  
since 1931

© H&L Tooth Company 2017



H&L's 230-112-00 loader Adapters are produced from aircraft quality Chrom-Moly-Nickel grade alloy steels to enhance adapter **DURABILITY** and **TOUGHNESS!**

**388-415BHN  
HARDNESS!**



ORIGINAL PRODUCT

**H&L® TOOTH COMPANY**

Factory Direct Made in Tulsa, Oklahoma

The "OEM" Flexpin Style **LOADER ADAPTER** design

**230-112-00**

Loader Adapter  
5.0#/2.27kgs.

*H&L Tooth Company History since 1931:*

*This Leg and a half bolt-on loader adapter was first designed and introduced by H&L Tooth in 1968 as OEM 230-112-00. It was first produced for the Ford A-62, carries Ford number D3NN294-A.*

*Also as a Fiat-Allis part number IX-1421801*

*Today, H&L continues to produce the "Original" 230-112-00 adapter and 230-Series tooth system.*