

H&L[®] CAT[®] BOLT-ON ADAPTERS



LOADERS, BOLT-ON ADAPTERS



IA



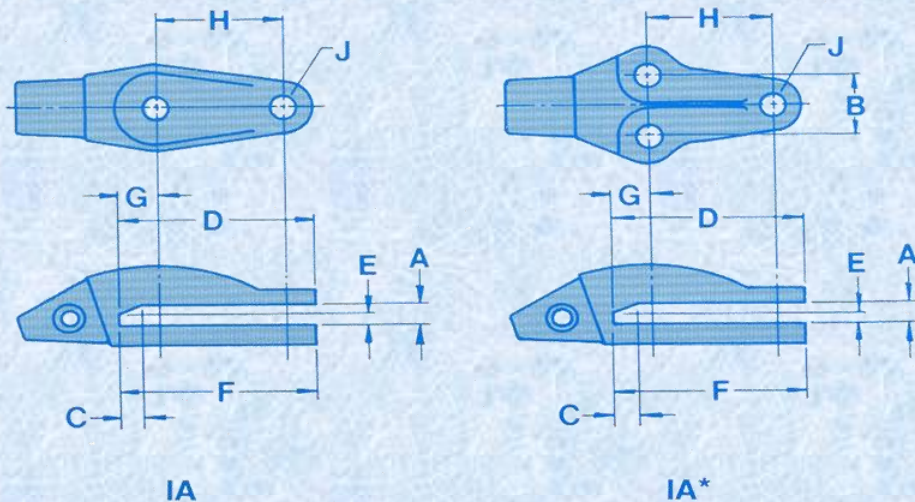
IA*

MODEL	1T12, 910, 931, 935	416, 426, 428	1T18, 1T28 916, 920, 926, 930, 936, 941, 943, 951, 953	950, 955	950B, 955 963	966C
LIP THICKNESS	.75 19	.80 20	1.00 25	1.00 25	1.25 32	1.25 32
ADAPTER	HL-9J-4207	HL-9W-6207	HL-1U-0257	HL-1U-0307	HL-4T-4307	HL-3G-5307
BOLT DIA	.75 19	.63 16	1.00 25	1.00 25	1.00 25	1.00 25
EDGE THICKNESS	.75 19	.80 20	1.00 25	1.00 / 1.25 25 / 32	1.00 / 1.25 25 / 32	1.25 32
CORNER ADAPTER L	HL-1U-2208	—	HL-3G-4258	HL-3G-4308	HL-3G-4308	HL-3G-8308
CORNER ADAPTER R	HL-1U-2209	—	HL-3G-4259	HL-3G-4309	HL-3G-4309	HL-3G-8309
BOLT DIA	.75 19	—	1.00 24	1.25 32	1.25 32	1.25 32
TOOTH GROUP	CG-1 HL-1U-3202 LONG	CG-1 HL-1U-3202 LONG	CG-2 HL-1U-3252 LONG	CG-3 HL-1U-3302 LONG	CG-3 HL-1U-3302 LONG	CG-3 HL-1U-3302 LONG
PIN	HL-9W-7112	HL-9W-7112	HL-9J-2258	HL-9J-2308	HL-9J-2308	HL-9J-2308
RETAINER	HL-4T-0001	HL-4T-0001	HL-3G-9609	HL-3G-9609	HL-3G-9609	HL-3G-9609
MODEL	966C	966C	977	966D, 973, 977	966D, 973, 977	980
LIP THICKNESS	1.25 32	1.25 32	1.25 32	1.50 38	1.50 38	1.75 44
ADAPTER	HL-3G-9307	HL-3G-7357	HL-3G-1357	HL-3G-3357	HL-8E-3467	HL-3G-2357
BOLT DIA	1.25 32	1.25 32	1.00 25	1.25 32	1.25 32	1.00 25
EDGE THICKNESS	1.25 32	1.25 32	1.25 / 1.50 32 / 38	1.25 / 1.50 32 / 38	1.50 38	1.75 44
CORNER ADAPTER L	—	—	HL-3G-5358	HL-3G-5358	HL-8E-3469	HL-1U-1358
CORNER ADAPTER R	—	—	HL-3G-5359	HL-3G-5359	HL-8E-3468	HL-1U-1359
BOLT DIA	—	—	1.25 32	1.25 32	1.25 32	1.25 32
TOOTH GROUP	CG-4 HL-1U-3352 LONG	CG-4 HL-1U-3352 LONG	CG-4 HL-1U-3352 LONG	CG-4 HL-1U-3352 LONG	CG-5 HL-9W-8452 LONG	CG-4 HL-1U-3352 LONG
PIN	HL-9W-2678	HL-9W-2678	HL-9W-2678	HL-9W-2678	HL-8E-0468	HL-9W-2678
RETAINER	HL-3G-9549	HL-3G-9549	HL-3G-9549	HL-3G-9549	HL-8E-8469	HL-3G-9549
MODEL	980	980, 988				
LIP THICKNESS	1.75 44	1.75 44				
ADAPTER	HL-1U-1357	HL-8E-2467				
BOLT DIA	1.25 32	1.25 32				
EDGE THICKNESS	1.75 44	1.75 44				
CORNER ADAPTER L	HL-1U-1358	HL-8E-2469				
CORNER ADAPTER R	HL-1U-1359	HL-8E-2468				
BOLT DIA	1.25 32	1.25 32				
TOOTH GROUP	CG-4 HL-1U-3352 LONG	CG-5 HL-9W-8452 LONG				
PIN	HL-9W-2678	HL-8E-0468				
RETAINER	HL-3G-9549	HL-8E-8469				

©H&L Tooth Company 2015

H&L[®] CAT[®] BOLT-ON ADAPTERS

LOADERS, BOLT-ON ADAPTERS



©H&L Tooth Company 2015

BOLT-ON ADAPTER DIMENSIONS

ADAPTER	STYLE	A	B	C	D	E	F	G	H	J	
HL-1U-0257	1A	1.06	—	1.17	9.03	.62	9.03	2.80	4.85	1.10	
		27	—	30	229	16	229	71	123	28	
HL-1U-0307	1A	1.06	—	1.17	9.03	.62	9.03	2.80	4.85	1.10	
		27	—	30	229	16	229	71	123	28	
HL-3G-1357	1AA	1.34	3.25	1.77	10.75	.75	10.75	3.25	5.75	1.06	
		34	83	45	273	19	273	83	146	27	
HL-3G-2357	1AA	1.88	3.25	3.00	11.75	.87	11.75	4.12	6.12	1.06	
		44	83	76	298	22	298	105	155	27	
HL-3G-3357	1A	1.64	—	2.90	11.45	.41	11.45	3.95	5.88	1.44	
		42	—	74	291	10	291	100	149	37	
HL-3G-5307	1AA	1.31	3.25	1.62	10.75	.69	10.75	3.50	5.75	1.06	
		33	83	41	273	18	273	89	146	27	
HL-4T-4307	1A	1.38	—	2.19	11.12	.72	11.12	3.15	6.53	1.10	
		35	—	56	282	18	282	80	166	28	
HL-9J-4207	1A	.78	—	.80	7.19	.57	7.19	2.63	3.50	.81	
		20	—	20	183	14	183	67	89	21	
CORNER ADAPTER	HL-1U-1358	9.06	5.71								INCHES
	HL-1U-1359	230	145								MILLIMETERS
	HL-3G-4258	5.70	4.12								
	HL-3G-4259	145	105								
	HL-3G-4308	6.00	4.62								
	HL-3G-4309	152	117								
	HL-3G-5358	8.50	5.50								
	HL-3G-5359	216	140								
	HL-3G-8308	8.50	5.50								
	HL-3G-8309	216	140								

