

T284.2017

QUALITY
since 1931

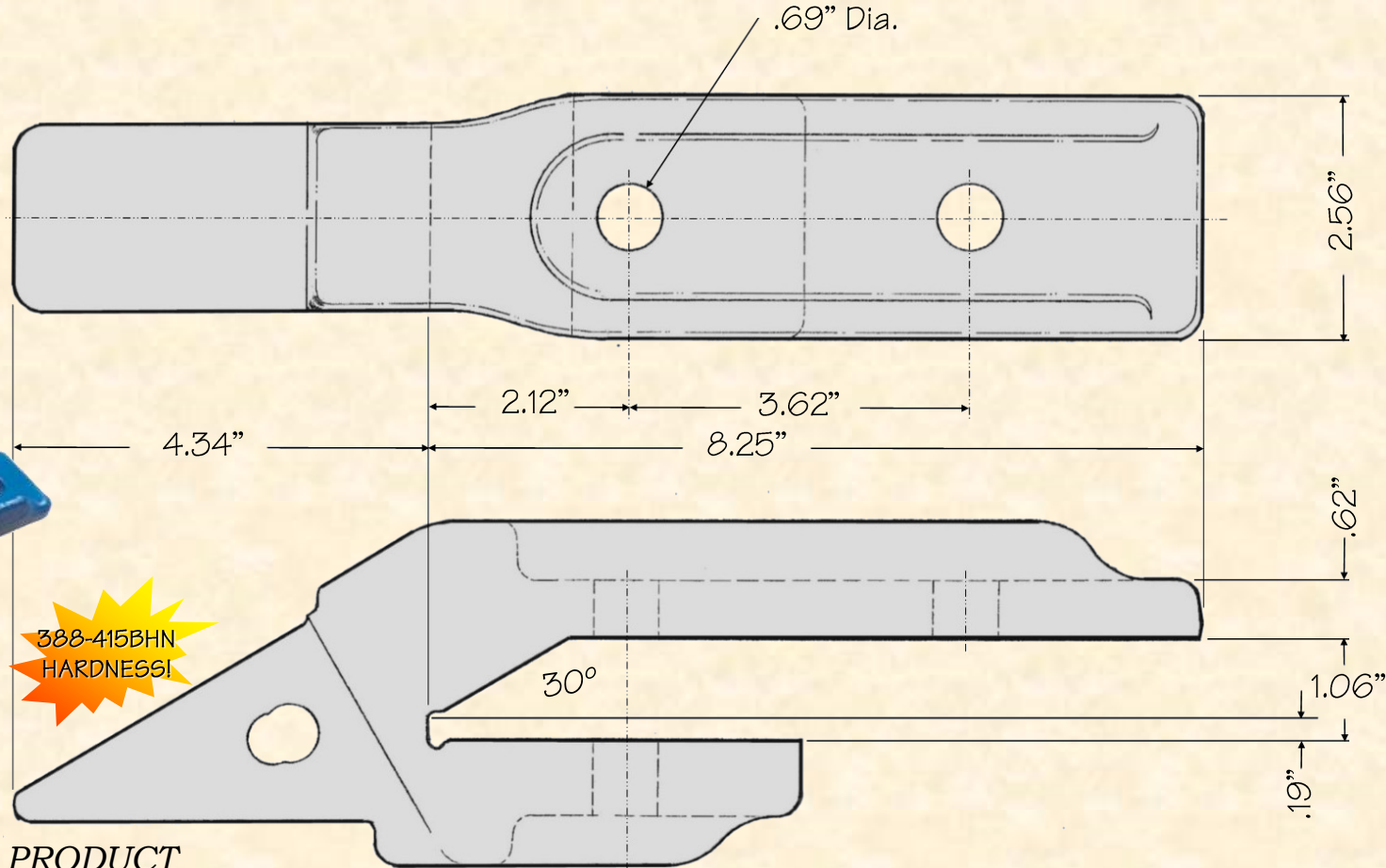
© H&L Tooth Company 2017

H&L's produced the 252-110-09 as OEM for the Ford Motor Company. This same adapter is now being produced as part number L-4052-25, they are identical.

H&L's L-4052-25 Loader Adapters are produced from aircraft quality Chrom-Moly-Nickel grade alloy steels to enhance adapter **DURABILITY** and **TOUGHNESS!**



**388-415BHN
HARDNESS!**



ORIGINAL PRODUCT

H&L® TOOTH COMPANY

Factory Direct Made in Tulsa, Oklahoma

The "OEM" Flexpin Style **LOADER ADAPTER** design

L-4052-25

Loader Adapter
12.0#/5.44kgs.

H&L Tooth Company History since 1931:

The 252-110-09 Leg and one half bolt-on loader adapter was first designed and introduced by H&L Tooth for OEM Wabco (Scoopmobile) Model 300 in 1970.

The OEM adapter part number is Wabco FD-0452 with an assembly number of KC-2947-2.

Today, H&L continues to produce the "Original" L-4052-25 adapter and 252-Series tooth system.