

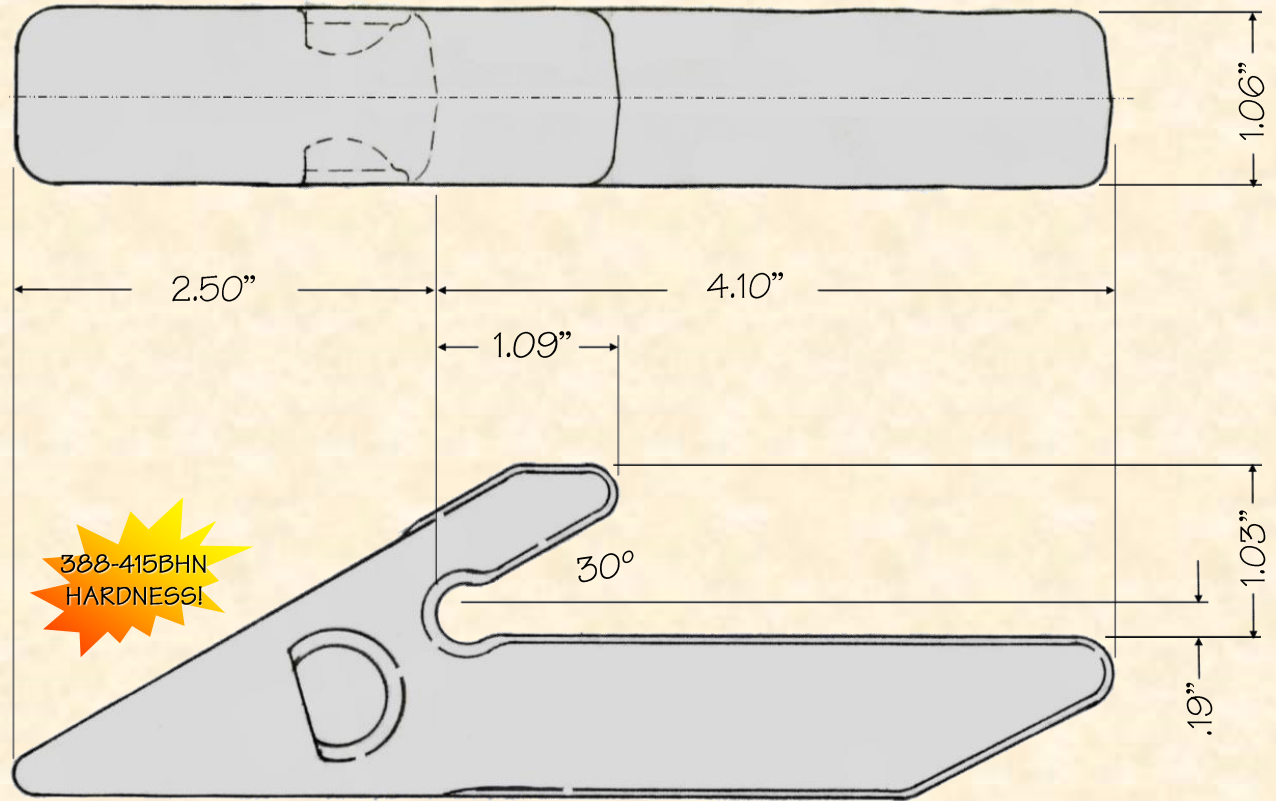
T285.2017



© H&L Tooth Company 2017

H&L's D-835-2A Adapters are produced from aircraft quality Chrom-Moly grade alloy steels to enhance adapter **DURABILITY** and **TOUGHNESS!**

Uses H&L 2AH Teeth.



ORIGINAL PRODUCT

H&L® TOOTH COMPANY

Factory Direct Made in Tulsa, Oklahoma

The "OEM" Flexpin Style WELD-ON ADAPTER design

D-835-2A

Bottom Strap Adapter

2.0#/10.91 kgs.

H&L Tooth Company History since 1931:

This Bottom Strap weld-on adapter was first designed and introduced by H&L Tooth as an OEM product in 1949 for Buckeye (Garwood), and Cleveland Wheel trenchers.

H&L's D-835-2A weld-on Adapters can be used on Mini-Excavator as a two-part tooth replacement.

Today, H&L continues to produce the "Original" D-835-2A adapter and 2AH teeth.