

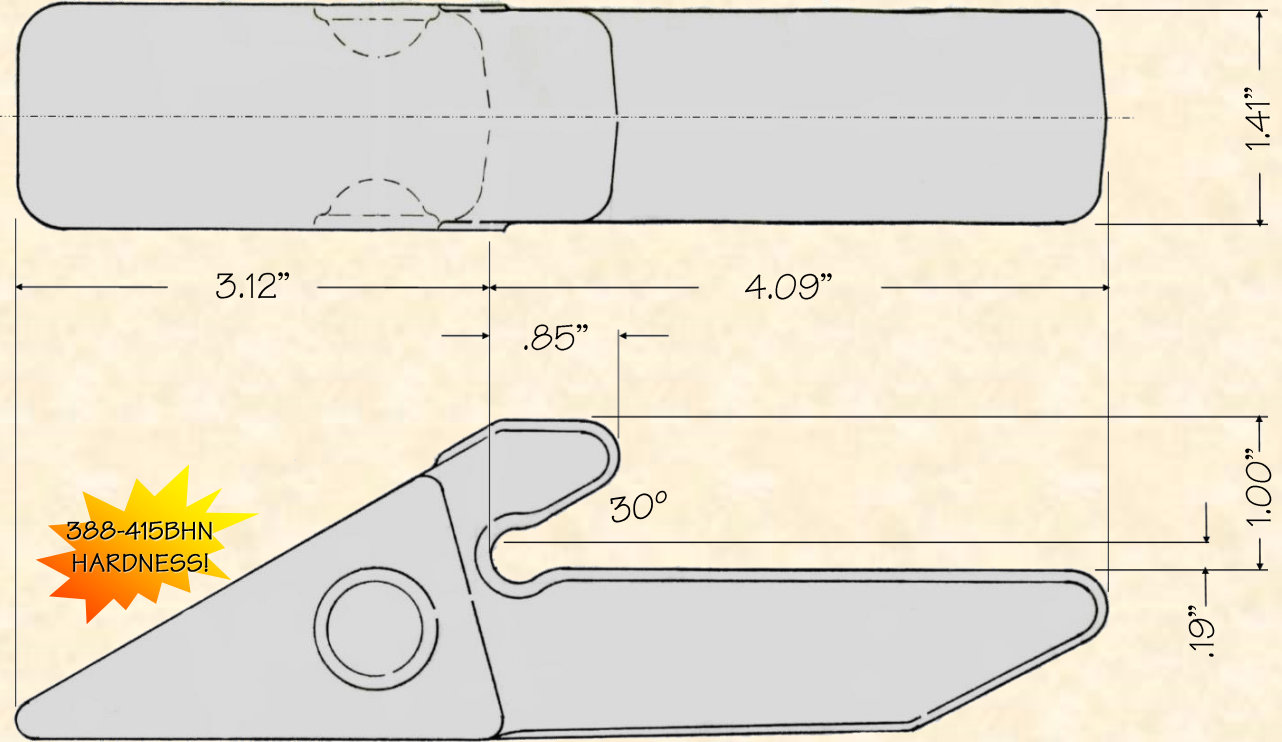
T286.2017



H&L's D-834-3C Adapters are produced from aircraft quality Chrom-Moly grade alloy steels to enhance adapter **DURABILITY** and **TOUGHNESS!**

© H&L Tooth Company 2017

Uses H&L 3CH Teeth.



ORIGINAL PRODUCT

H&L® TOOTH COMPANY

Factory Direct Made in Tulsa, Oklahoma

The "OEM" Flexpin Style WELD-ON ADAPTER design

D-834-3C

Bottom Strap Adapter

3.0#/1.36kgs.

H&L Tooth Company History since 1931:

This Bottom Strap weld-on adapter was first designed as an upgrade to the 2A series tooth system. The D-834-3C was introduced by H&L Tooth as an OEM product in 1950 for Buckeye (Garwood), and Cleveland Wheel trenchers.

H&L's D-834-3C weld-on Adapters can be used on Mini-Excavator as a two-part tooth replacement.

Today, H&L continues to produce the "Original" D-834-3C adapter and 3CH teeth.