

T295.2017

QUALITY
since 1931

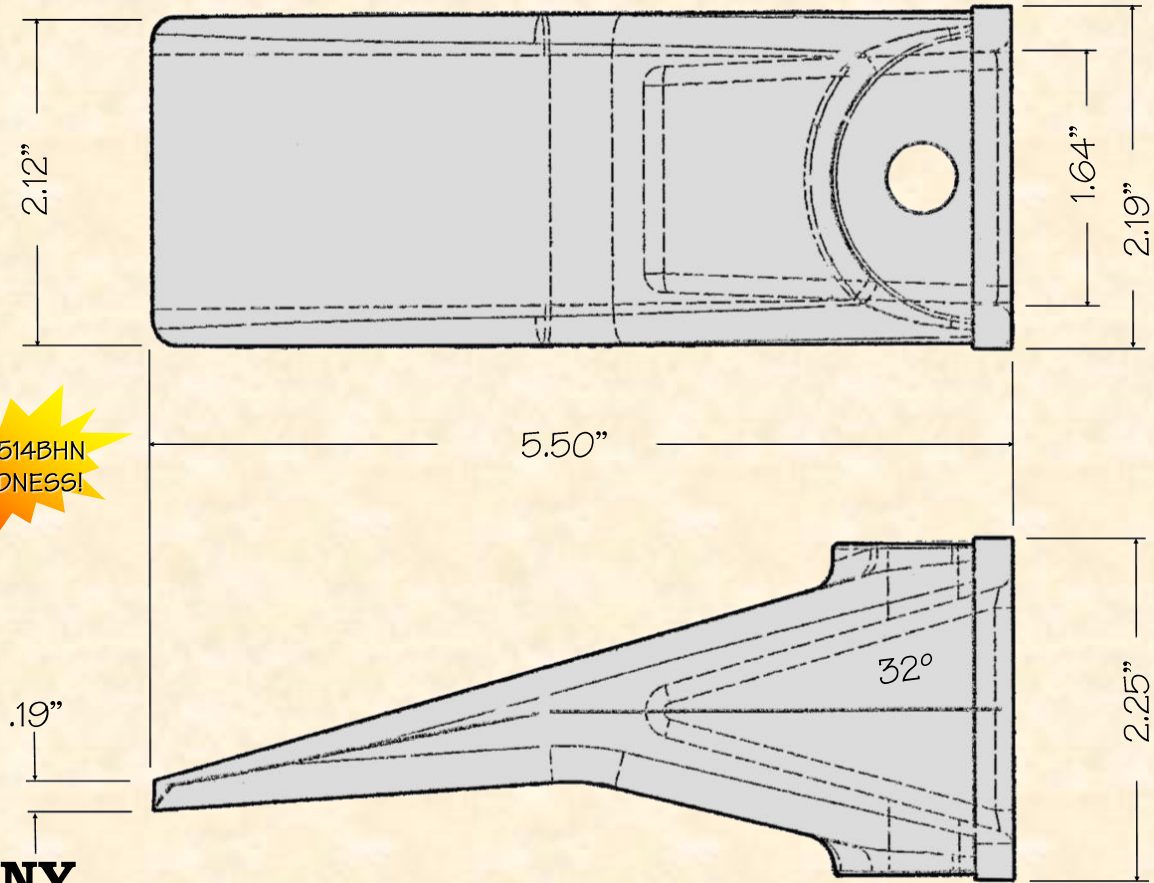
H&L's CF-156SP Teeth are produced from aircraft quality Chrom-Moly grade alloy steels to enhance tooth **DURABILITY** and long **LASTING SHARPNESS!**

© H&L Tooth Company 2017



Uses the
C-156LPN
Spiral Pin

444-514BHN
HARDNESS!



ORIGINAL PRODUCT

H&L® TOOTH COMPANY

Factory Direct Made in Tulsa, Oklahoma

Uniforged 156 Series Style tooth design

CF-156SP

Sharp Penetration
2.5#/1.13 kgs.

H&L Tooth Company History since 1931:

This Uniforged CF-156SP Sharp Penetration tooth was first designed and introduced in 1997. The forged Sharp Penetration tooth was developed as a heavier version of the cast CX-156LP Long Paneled tooth.