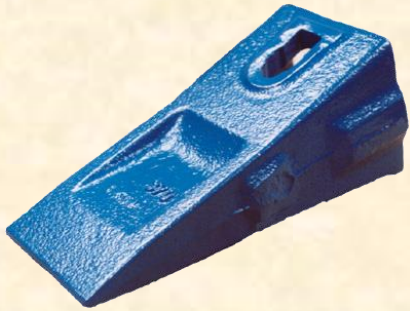


H&L "Cobra Line" CX-290 Series Teeth fit all field OEM Style 290 Adapters.

H&L offers a variety of 290 series bolt-on and weld-on adapters!



CX-290SP Sharp Penetration
8.2#



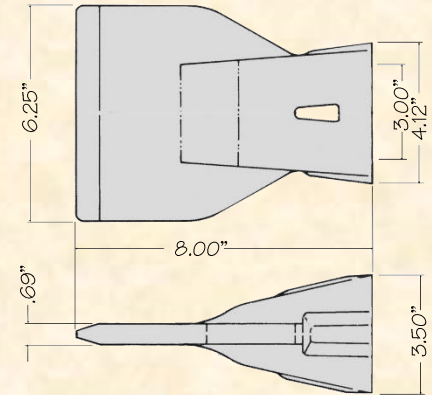
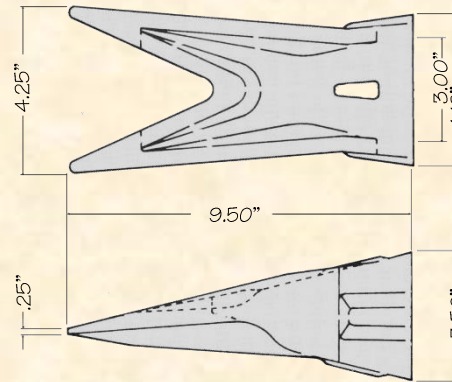
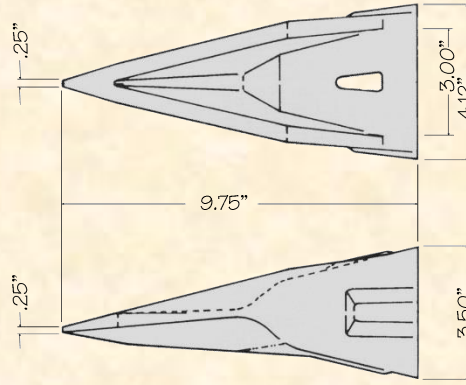
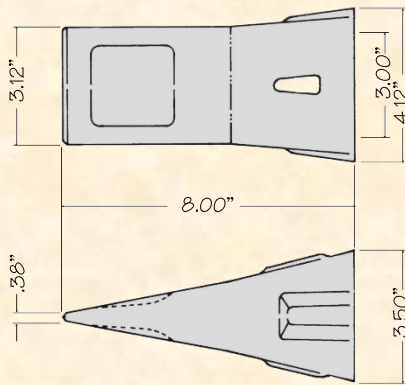
CX-290T Single Tiger
8.1#



CX-290WT Twin Tiger
10.1#



CX-290F Flared Tooth
11.6#



ORIGINAL PRODUCT

H&L® TOOTH COMPANY

Factory in Tulsa, Oklahoma

"Cobra Line" Hensley Style TEETH design

CX-290 Series

Uses "Cobra Line" Flexpin C-290PN or Steel Keeper!

H&L Tooth Company History since 1931:

H&L CX-290 series Value-Cast "Cobra Line" teeth meets or exceeds the OEM standards. All Value-Cast teeth are covered under H&L's standard warranty. H&L part numbers are CX-290SP, CX-290T, CX-290WT and CX-290F.

Other part number references; X290, T290, X290WT, X290F

H&L is an ISO CERTIFIED Company.

T300.2017



© H&L Tooth Company 2017