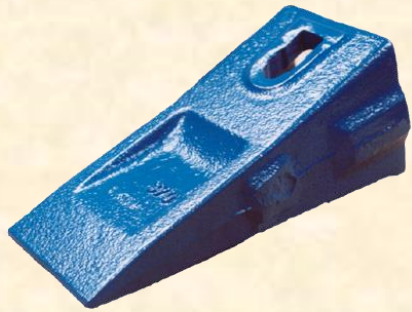


H&L "Cobra Line" CX-330 Series Teeth fit all field OEM Style 330 Adapters.

H&L offers a variety of 330 series bolt-on and weld-on adapters!



CX-330SP Sharp Penetration
11.5#



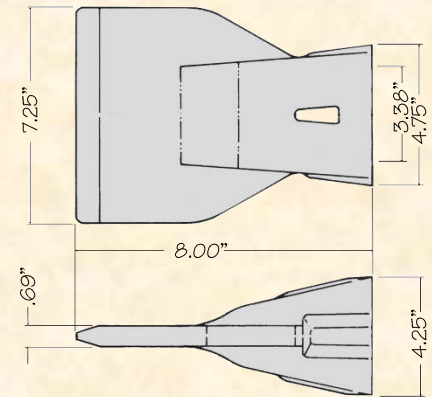
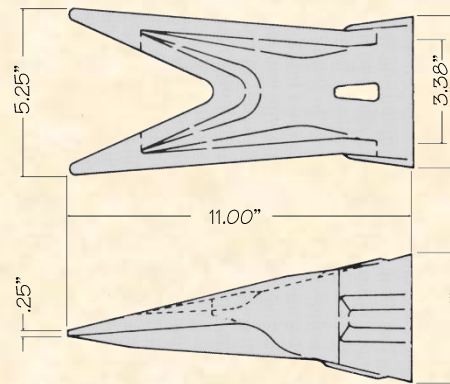
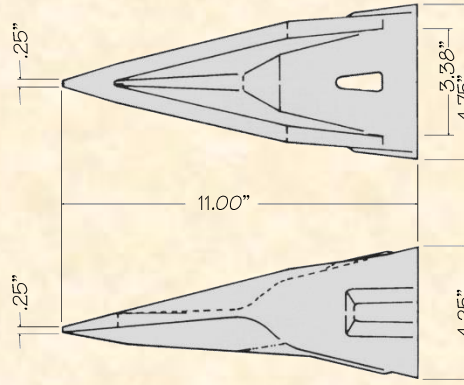
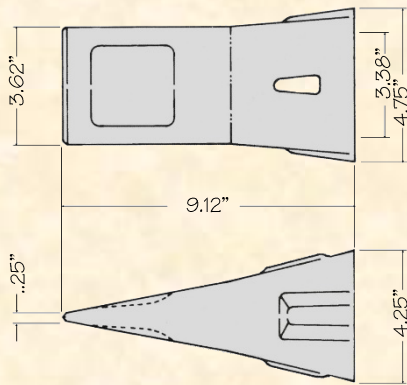
CX-330T Single Tiger
11.2#



CX-330WT Twin Tiger
14.7#



CX-330F Flared Tooth
15.0#



ORIGINAL PRODUCT

H&L[®] TOOTH COMPANY

Factory in Tulsa, Oklahoma

"Cobra Line" Hensley Style TEETH design

CX-330 Series

Uses "Cobra Line" Flexpin C-330PN or Steel Keeper!

H&L Tooth Company History since 1931:

H&L CX-330 series Value-Cast "Cobra Line" teeth meets or exceeds the OEM standards. All Value-Cast teeth are covered under H&L's standard warranty. H&L part numbers are CX-330SP, CX-330T, CX-330WT and CX-330F.

Other part number references; X330, T330, X330WT, X330F

H&L is an ISO CERTIFIED Company.

T301.2017



© H&L Tooth Company 2017