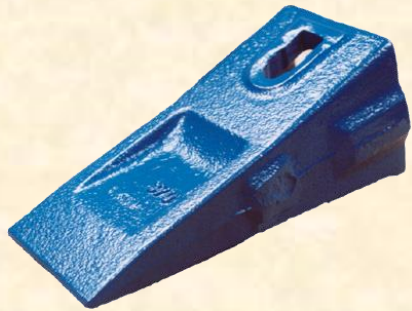


H&L "Cobra Line" CX-370 Series Teeth fit all field OEM Style 370 Adapters.

H&L offers a variety of 370 series bolt-on and weld-on adapters!



CX-370SP Sharp Penetration
18.1#



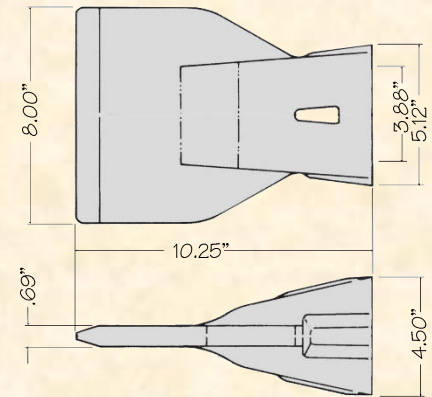
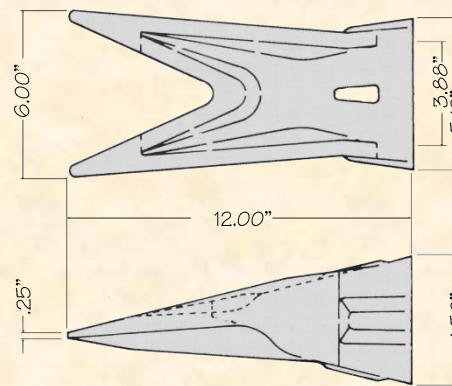
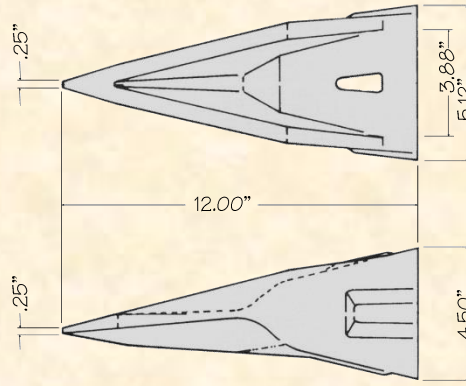
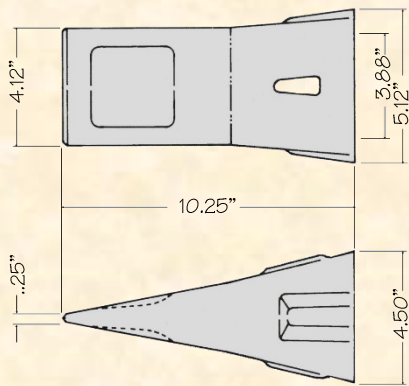
CX-370T Single Tiger
18.2#



CX-370WT Twin Tiger
21.0#



CX-370F Flared Tooth
23.0#



ORIGINAL PRODUCT

H&L® TOOTH COMPANY

Factory in Tulsa, Oklahoma

"Cobra Line" Hensley Style TEETH design

CX-370 Series

Uses "Cobra Line" Flexpin C-370PN or Steel Keeper!

H&L Tooth Company History since 1931:

H&L CX-370 series Value-Cast "Cobra Line" teeth meets or exceeds the OEM standards. All Value-Cast teeth are covered under H&L's standard warranty. H&L part numbers are CX-370SP, CX-370T, CX-370WT and CX-370F.

Other part number references; X370, T370, X370WT, X370F

H&L is an ISO CERTIFIED Company.

T302.2017

