

# H&L "Cobra Line" CX-450 Series Teeth fit all field OEM Style 450 Adapters.

*H&L offers a variety of 450 series bolt-on and weld-on adapters!*



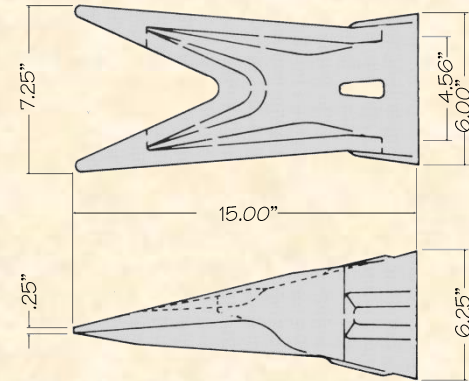
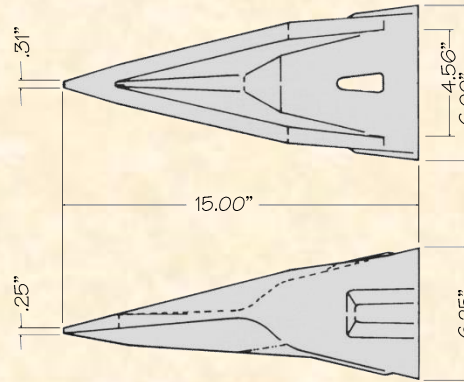
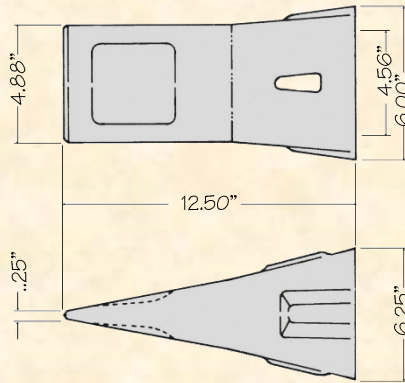
CX-450SP Sharp Penetration  
30.2#



CX-450T Single Tiger  
31.3#



CX-450WT Twin Tiger  
37.5#



*ORIGINAL PRODUCT*

**H&L<sup>®</sup> TOOTH COMPANY**

*Factory in Tulsa, Oklahoma*

*"Cobra Line" Hensley Style TEETH design*

**CX-450 Series**

*Uses "Cobra Line" Flexpin C-450PN or Steel Keeper!*

*H&L Tooth Company History since 1931:*

*H&L CX-450 series Value-Cast "Cobra Line" teeth meets or exceeds the OEM standards. All Value-Cast teeth are covered under H&L's standard warranty. H&L part numbers are CX-450SP, CX-450T and CX-450WT.*

*Other part number references; X450, T450, X450WT.*

*H&L is an ISO CERTIFIED Company.*

T304.2017



© H&L Tooth Company 2017