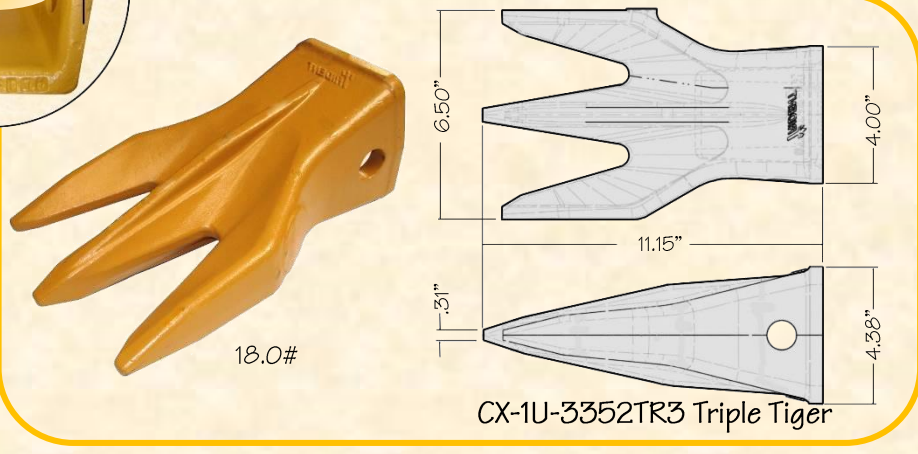
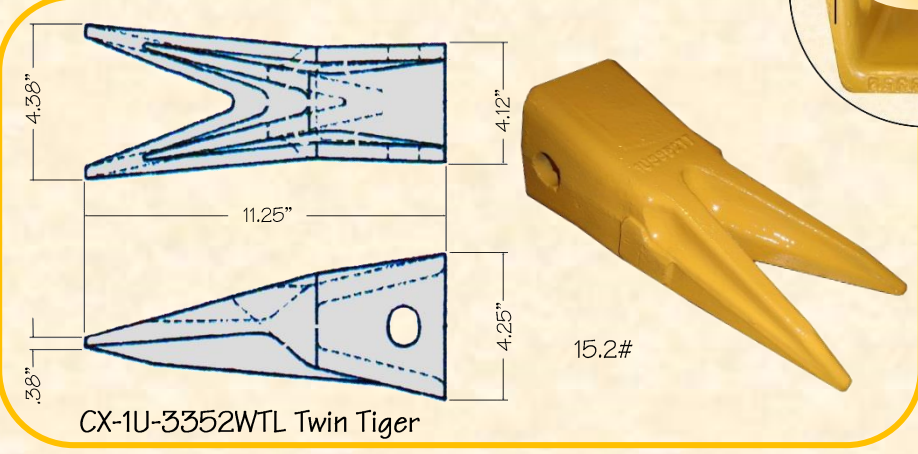
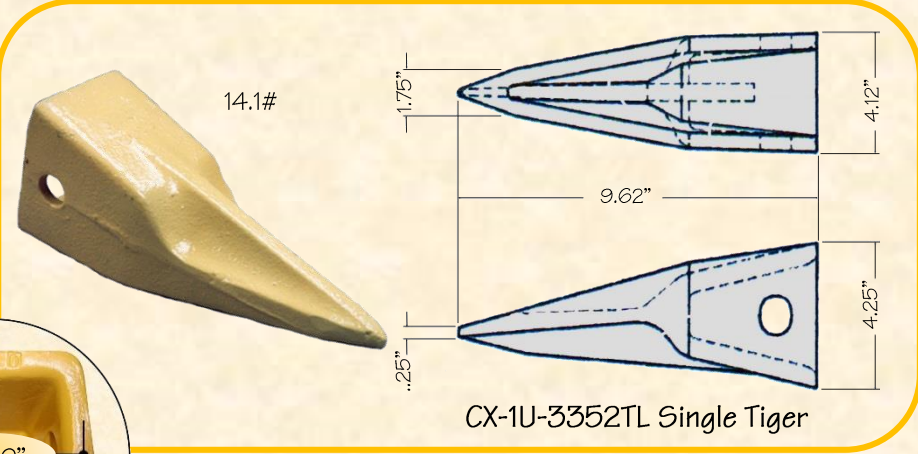
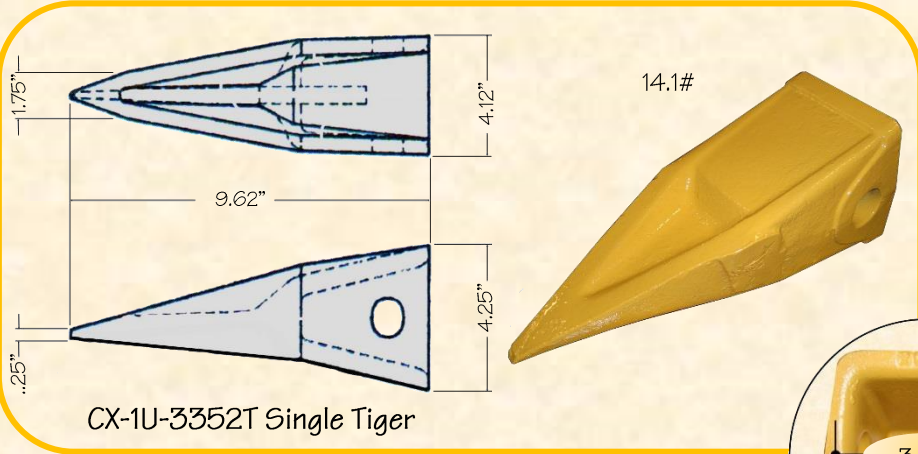


# H&L "Cobra Line" J-350 Series Teeth fit all field CAT Style 350 Adapters.

*H&L offers a variety of J-350 series bolt-on and weld-on adapters!*



ORIGINAL PRODUCT

**H&L® TOOTH COMPANY**

Factory in Tulsa, Oklahoma

"Cobra Line" Cat Style TEETH design

**J-350 Series**

Uses "Cobra Line" J-350 Pin and Retainers.

*H&L Tooth Company History since 1931:*

*H&L J-350 series Value-Cast "Cobra Line" teeth meets or exceeds the OEM standards. All Value-Cast teeth are covered under H&L's standard warranty. H&L part numbers are CX-1U-3352, CX-1U-3352T, CX-1U-3352TL, CX-1U-3352WTL, CX-1U-3352TR3, CX-1U-3352RC, CX-107-3350, CX-1U-3352E and CX-9N-4352.*

*Other part number references; 1U-3351, 1U-3352, 1U-3352T, 1U-3352TL, 1U-3352WTL, 1U-3352TR3, 1U-3352RC, 107-3350, 1U-3352E, 9N-4353, 135-9357, 9W-2359 and 9N-4352.*

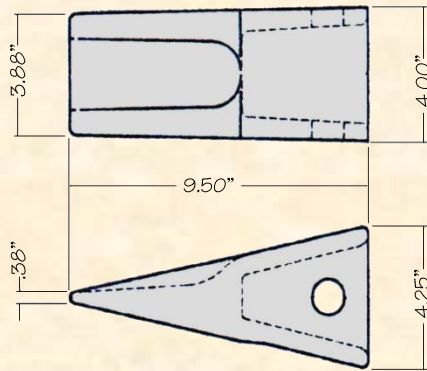
*H&L is an ISO CERTIFIED Company.*

T313.2017



# H&L "Cobra Line" J-350 Series Teeth fit all field CAT Style 350 Adapters.

*H&L offers a variety of J-350 series bolt-on and weld-on adapters!*



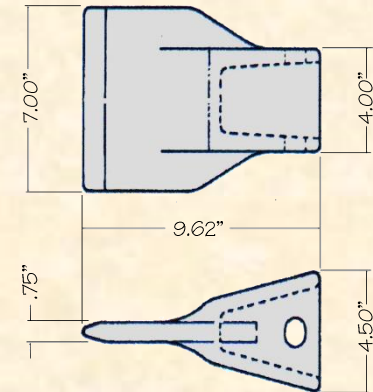
CX-1U-3352 Long Tooth



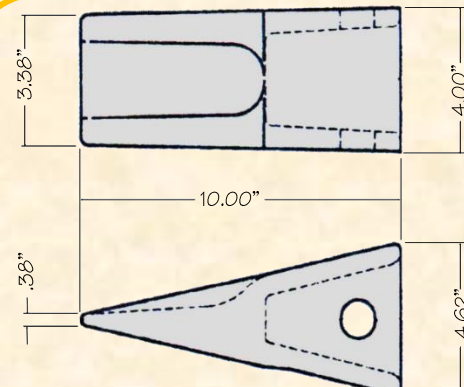
15.0#



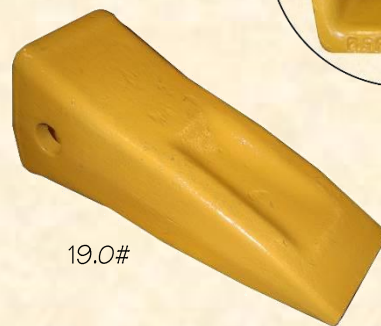
17.4#



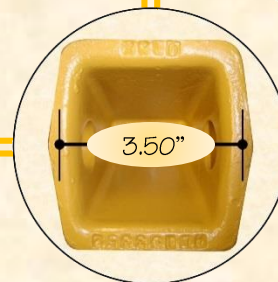
CX-107-3350 Flared Tooth



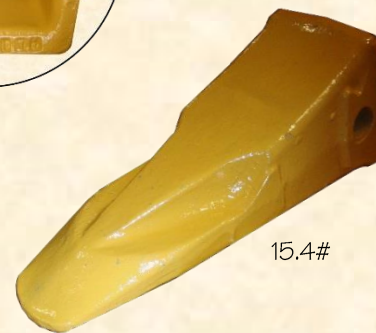
CX-9N-4352 Heavy Duty Long



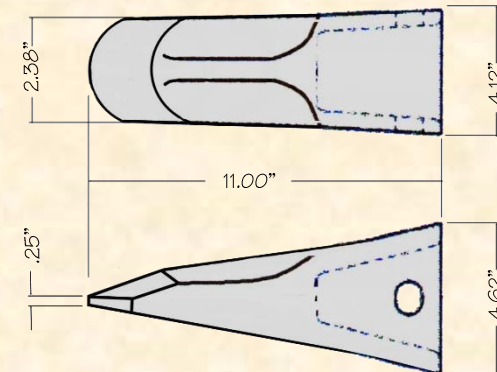
19.0#



3.50"



15.4#



CX-1U-3352E Penetrator

*ORIGINAL PRODUCT*

**H&L® TOOTH COMPANY**

*Factory in Tulsa, Oklahoma*

*"Cobra Line" Cat Style TEETH design*

**J-350 Series**

*Uses "Cobra Line" J-350 Pin and Retainers.*

*H&L Tooth Company History since 1931:*

*H&L J-350 series Value-Cast "Cobra Line" teeth meets or exceeds the OEM standards. All Value-Cast teeth are covered under H&L's standard warranty. H&L part numbers are CX-1U-3352, CX-1U-3352T, CX-1U-3352TL, CX-1U-3352WTL, CX-1U-3352TR3, CX-1U-3352RC, CX-107-3350, CX-1U-3352E and CX-9N-4352.*

*Other part number references; 1U-3351, 1U-3352, 1U-3352T, 1U-3352TL, 1U-3352WTL, 1U-3352TR3, 1U-3352RC, 107-3350, 1U-3352E, 9N-4353, 135-9357, 9W-2359 and 9N-4352.*

*H&L is an ISO CERTIFIED Company.*

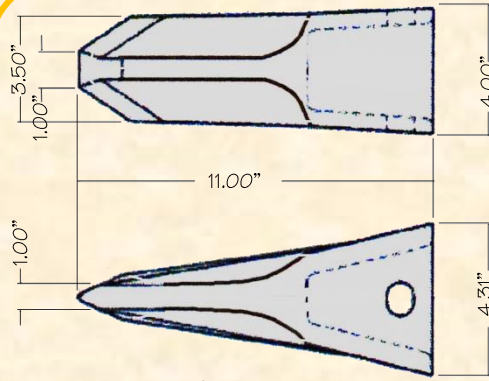
T313.2017.2



© H&L Tooth Company 2017

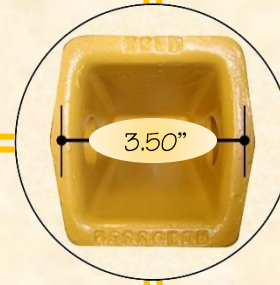
# H&L "Cobra Line" J-350 Series Teeth fit all field CAT Style 350 Adapters.

*H&L offers a variety of J-350 series bolt-on and weld-on adapters!*



CX-1U-3352RC Rock Chisel

17.9#



ORIGINAL PRODUCT

**H&L® TOOTH COMPANY**

Factory in Tulsa, Oklahoma

"Cobra Line" Cat Style TEETH design

**J-350 Series**

Uses "Cobra Line" J-350 Pin and Retainers.

*H&L Tooth Company History since 1931:*

*H&L J-350 series Value-Cast "Cobra Line" teeth meets or exceeds the OEM standards. All Value-Cast teeth are covered under H&L's standard warranty. H&L part numbers are CX-1U-3352, CX-1U-3352T, CX-1U-3352TL, CX-1U-3352WTL, CX-1U-3352TR3, CX-1U-3352RC, CX-107-3350, CX-1U-3352E and CX-9N-4352.*

*Other part number references; 1U-3351, 1U-3352, 1U-3352T, 1U-3352TL, 1U-3352WTL, 1U-3352TR3, 1U-3352RC, 107-3350, 1U-3352E, 9N-4353, 135-9357, 9W-2359 and 9N-4352.*

*H&L is an ISO CERTIFIED Company.*

T313.2017.3



© H&L Tooth Company 2017