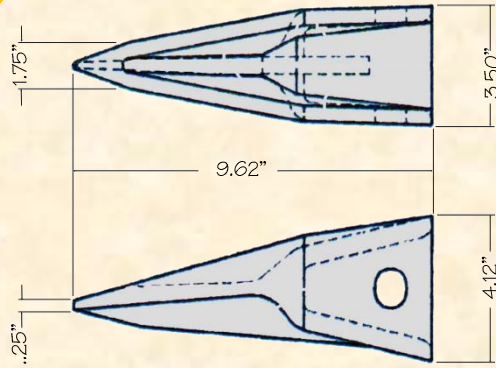


H&L "Cobra Line" J-300 Series Teeth fit all field CAT Style 300 Adapters.

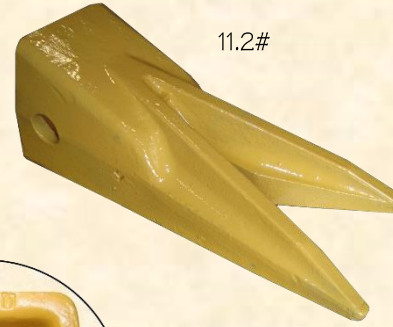
H&L offers a variety of J-300 series bolt-on and weld-on adapters!



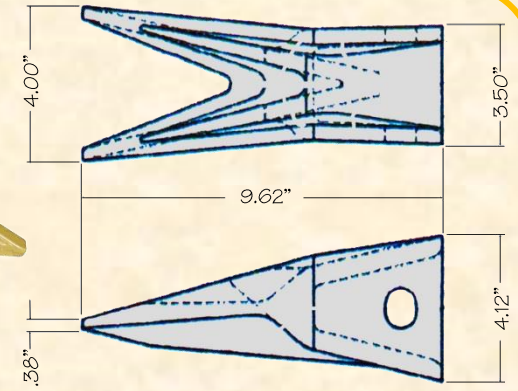
CX-1U-3302TL Single Tiger



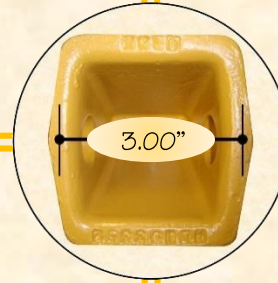
10.0#



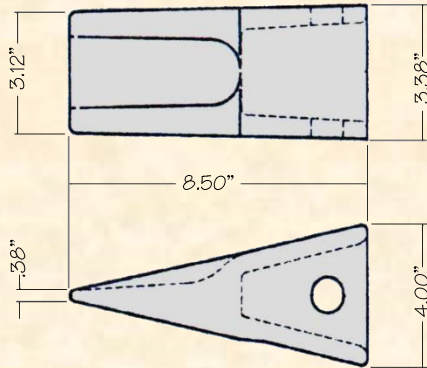
11.2#



CX-1U-3302WTL Twin Tiger



3.00"



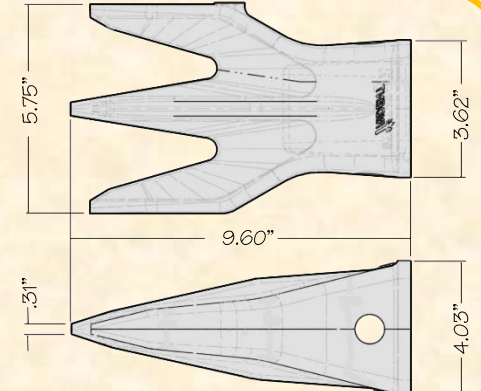
CX-1U-3302 Long Tooth



10.0#



10.0#



CX-1U-3302TR3 Triple Tiger

ORIGINAL PRODUCT

H&L® TOOTH COMPANY

Factory in Tulsa, Oklahoma

"Cobra Line" Cat Style TEETH design

J-300 Series

Uses "Cobra Line" J-300 Pin and Retainers.

H&L Tooth Company History since 1931:

H&L J-300 series Value-Cast "Cobra Line" teeth meets or exceeds the OEM standards. All Value-Cast teeth are covered under H&L's standard warranty. H&L part numbers are CX-1U-3302, CX-1U-3302TL, CX-1U-3302WTL, CX-1U-3302TR3, CX-107-3300 and CX-9N-4302.

Other part number references; 1U-3351, 1U-3302, 1U-3302TL, 1U-3302WTL, 1U-3302TR3, 107-3300, 3G-8300, 9N-4303, 135-9308 and 9N-4302.

H&L is an ISO CERTIFIED Company.

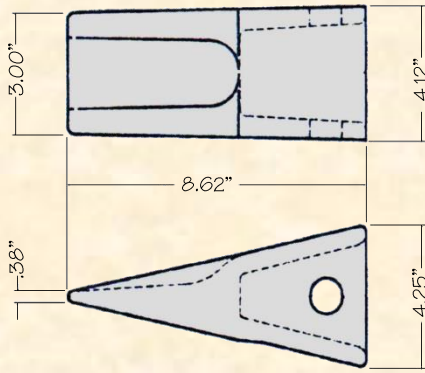
T320.2017



© H&L Tooth Company 2017

H&L "Cobra Line" J-300 Series Teeth fit all field CAT Style 300 Adapters.

H&L offers a variety of J-300 series bolt-on and weld-on adapters!

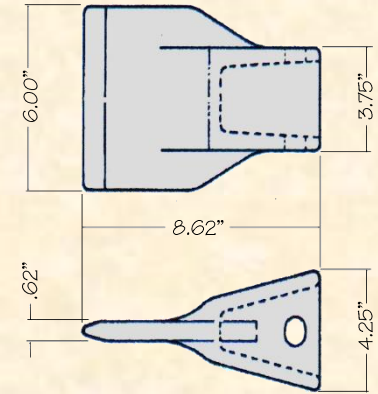


CX-9N-4302 Heavy Duty Long

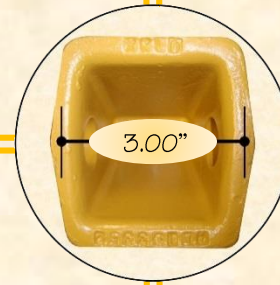
12.7#



12.5#



CX-107-3300 Flared Tooth



ORIGINAL PRODUCT

H&L® TOOTH COMPANY

Factory in Tulsa, Oklahoma

"Cobra Line" Cat Style TEETH design

J-300 Series

Uses "Cobra Line" J-300 Pin and Retainers.

H&L Tooth Company History since 1931:

H&L J-300 series Value-Cast "Cobra Line" teeth meets or exceeds the OEM standards. All Value-Cast teeth are covered under H&L's standard warranty. H&L part numbers are CX-1U-3302, CX-1U-3302TL, CX-1U-3302WTL, CX-1U-3302TR3, CX-107-3300 and CX-9N-4302.

Other part number references; 1U-3351, 1U-3302, 1U-3302TL, 1U-3302WTL, 1U-3302TR3, 107-3300, 3G-8300, 9N-4303, 135-9308 and 9N-4302.

H&L is an ISO CERTIFIED Company.

T320.2017.2



© H&L Tooth Company 2017